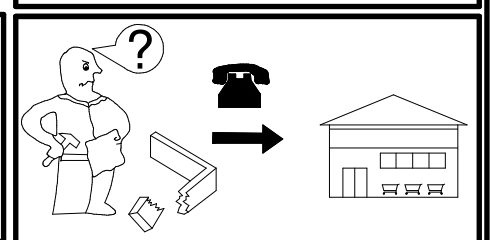
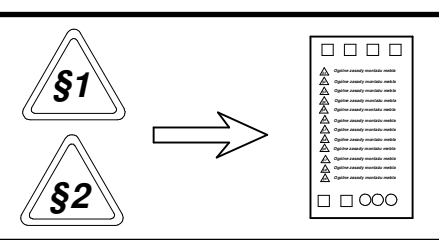
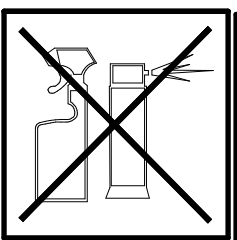
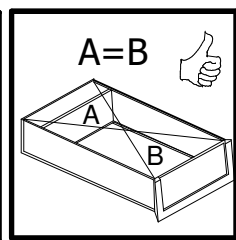
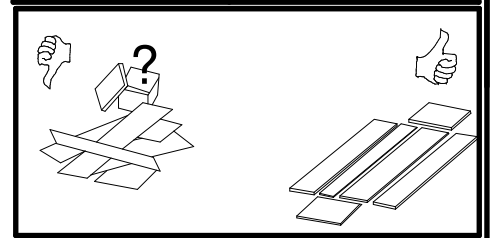
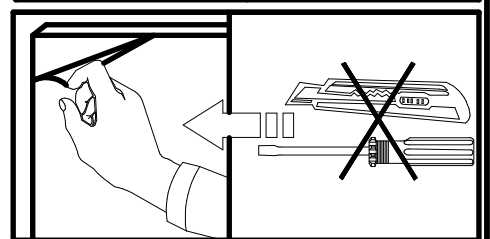
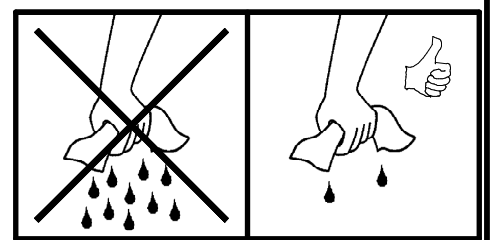
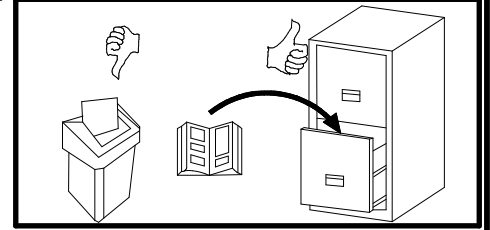
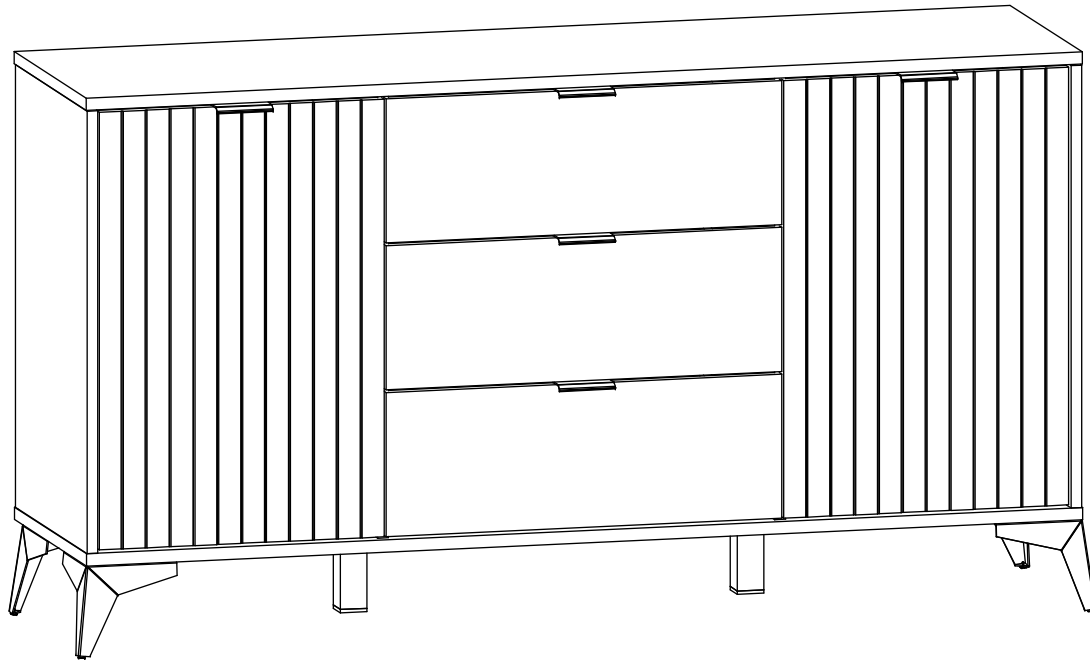
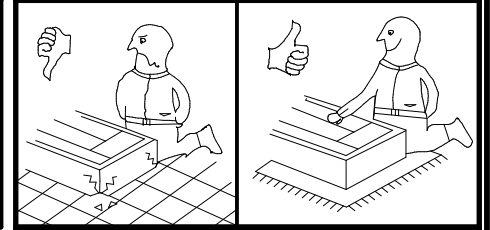
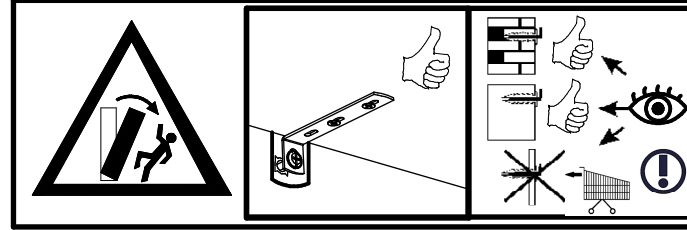
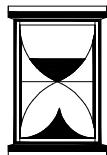
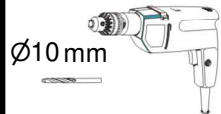
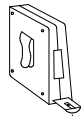
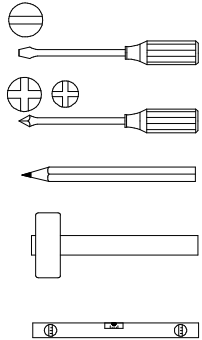
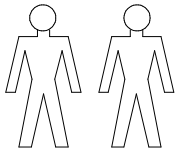


A

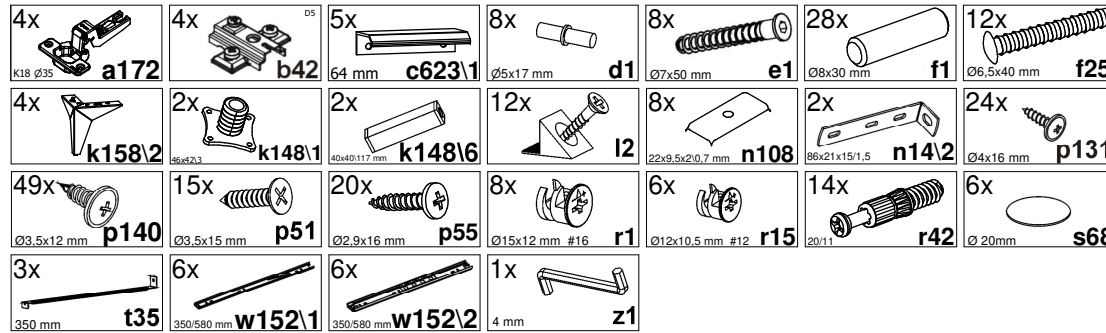
S632-KOM2D3S/150

LAMEA

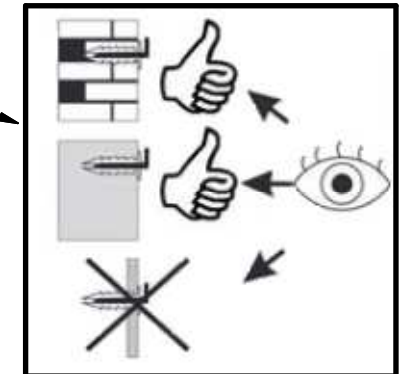


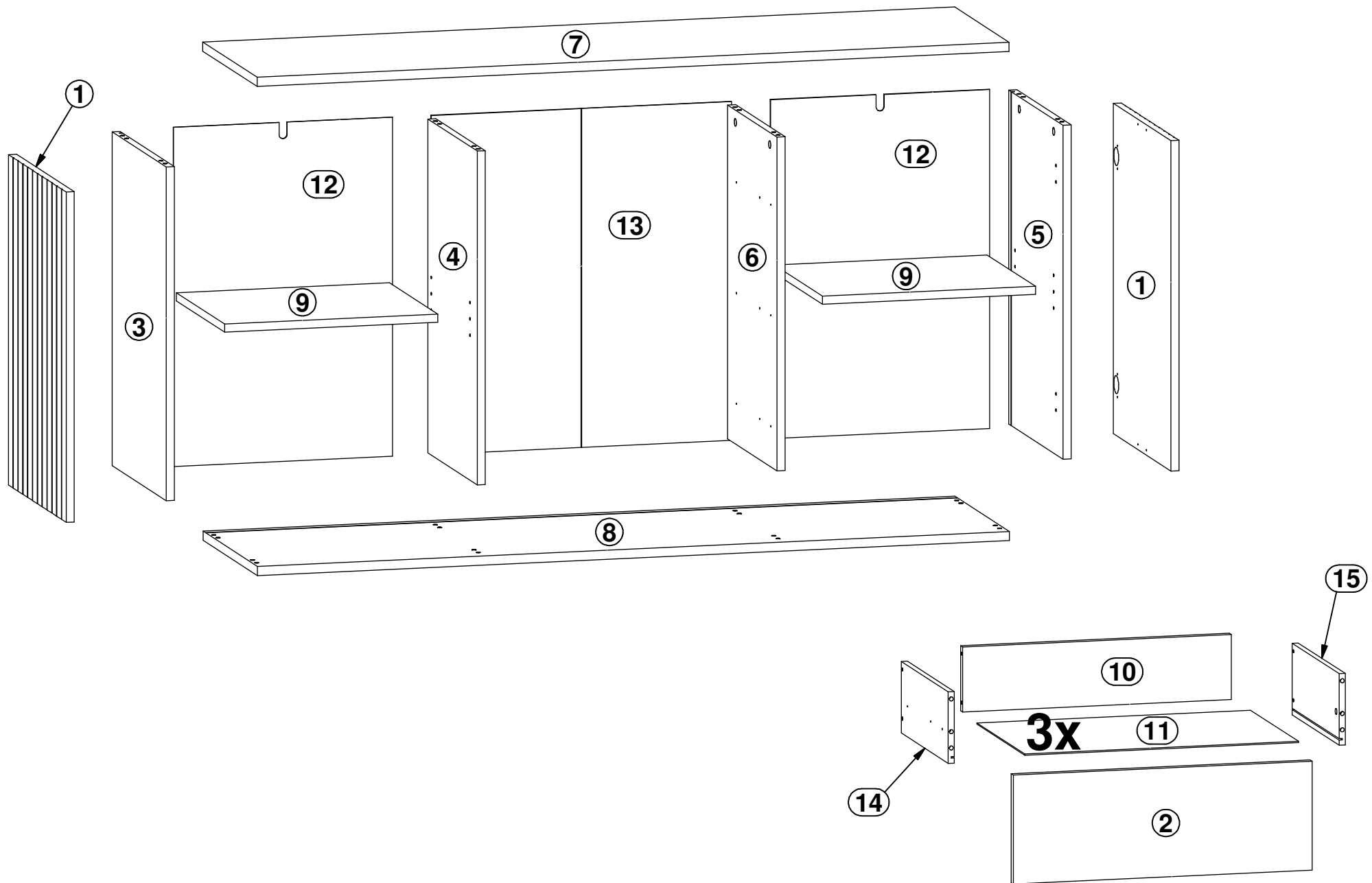


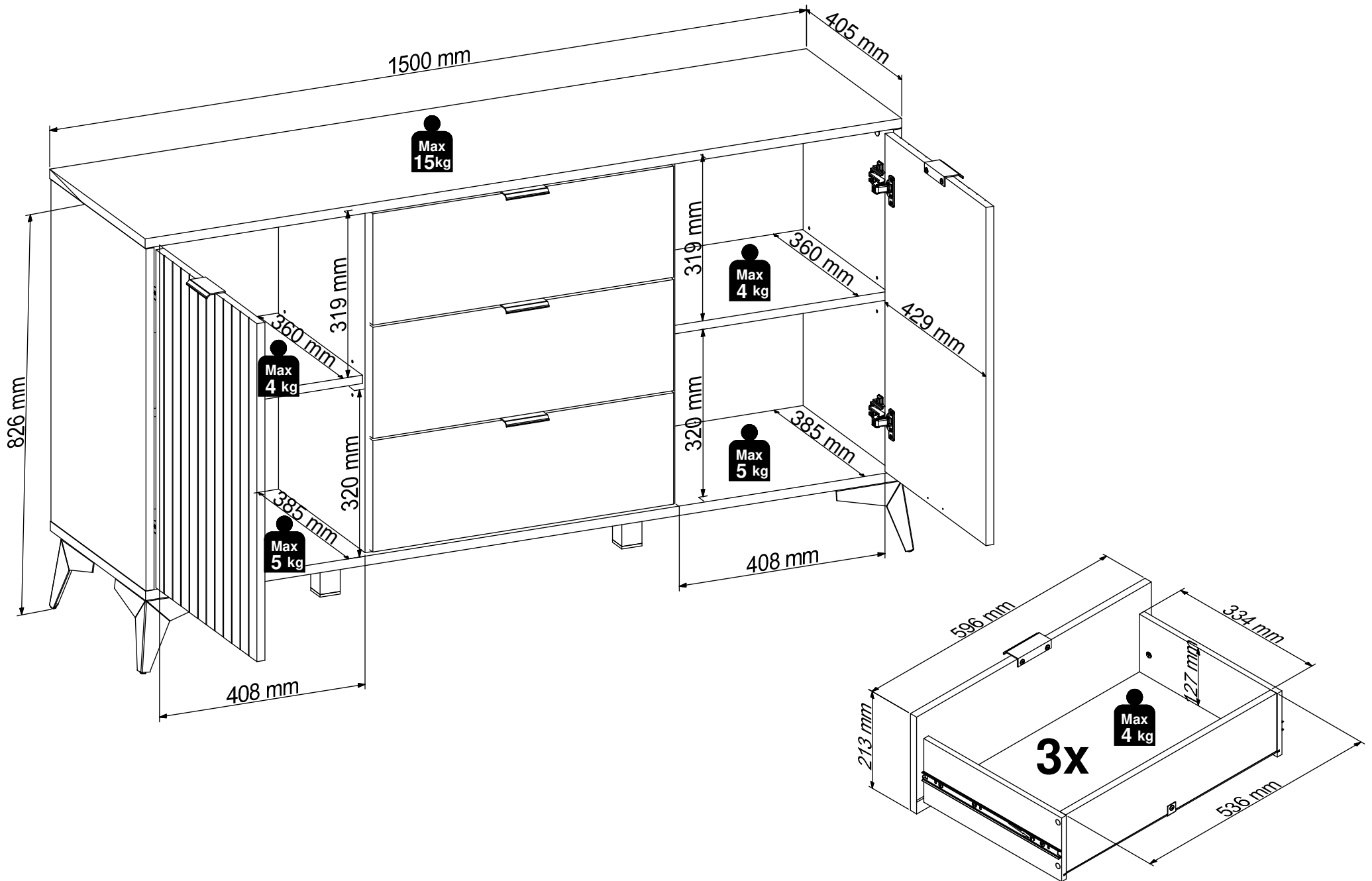
40 min



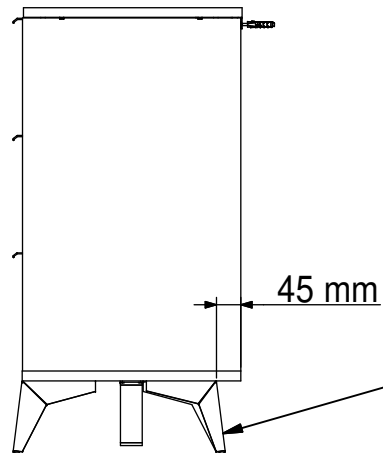
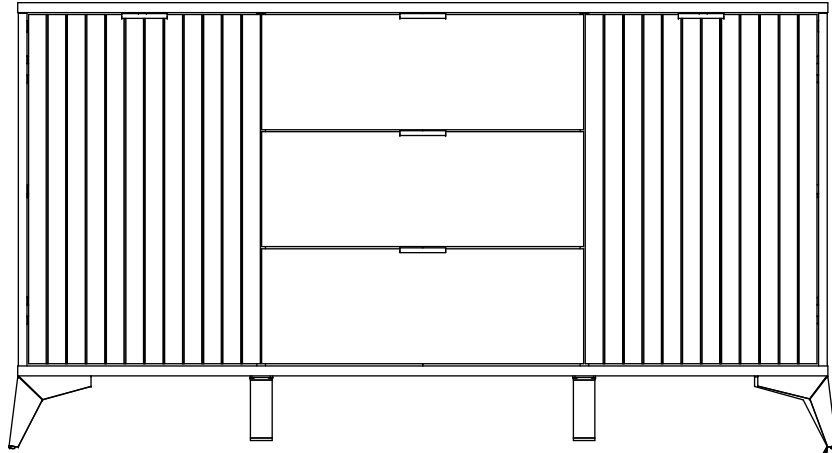
A	B1	B2	C1	C2	C3	D
1	S632-0005	-.1	647	429	16	2/3
2	S632-0006	-.1	596	213	16	1/3
3	S632-1004	-.1	654	404	16	2/3
4	S632-1006	-.1	654	368	16	1/3
5	S632-1007	-.1	654	404	16	2/3
6	S632-1008	-.1	654	368	16	1/3
7	S632-2005	-.1	1500	405	18	2/3
8	S632-2006	-.1	1500	405	18	2/3
9	S632-3003	-.1	425	360	16	1/3
10	S632-5003	-.1	536	127	15	1/3
11	S632-9003	-.1	546	357	2,5	1/3
12	S632-9004	-.2	664	437	2,5	2/3
13	S632-9302	-.2	664	599	2,5	2/3
14	WSK3-5005	-.5	350	140	12	1/3
15	WSK3-5006	-.5	350	140	12	1/3



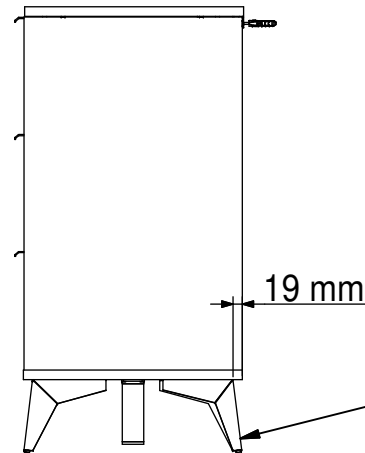
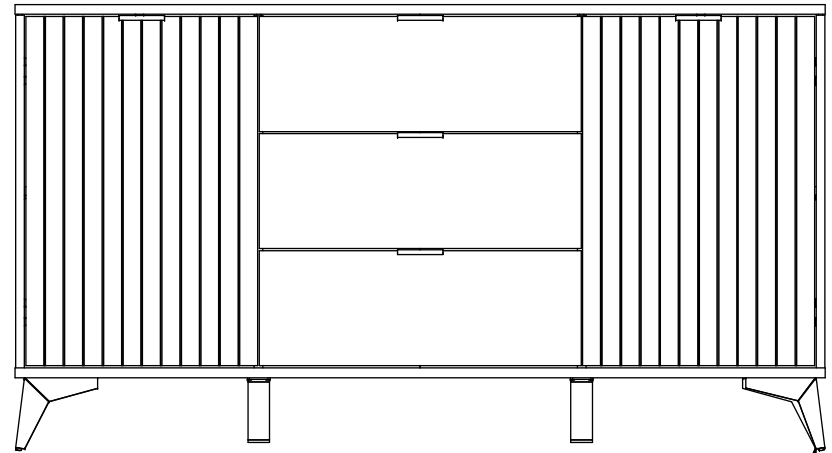



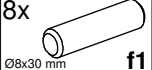





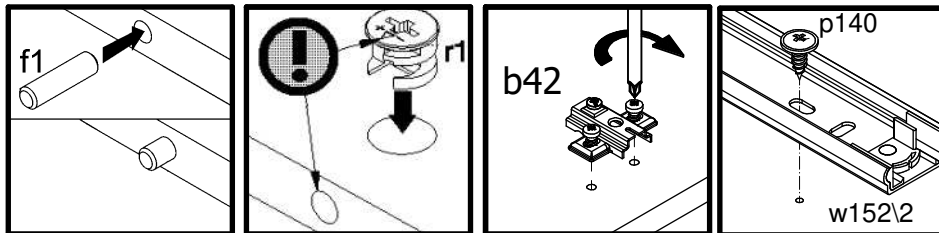
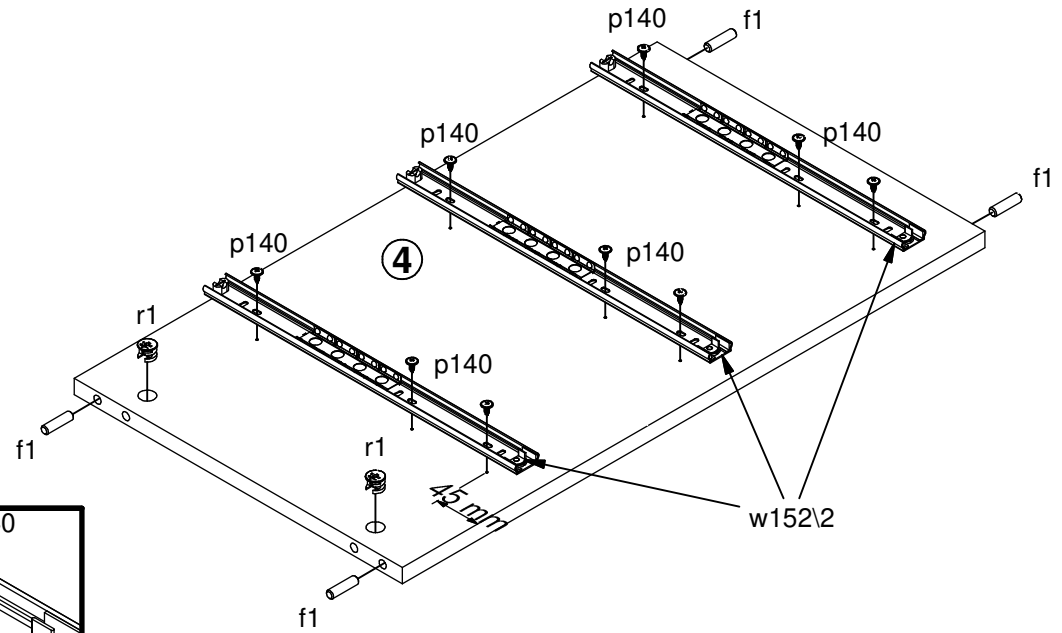
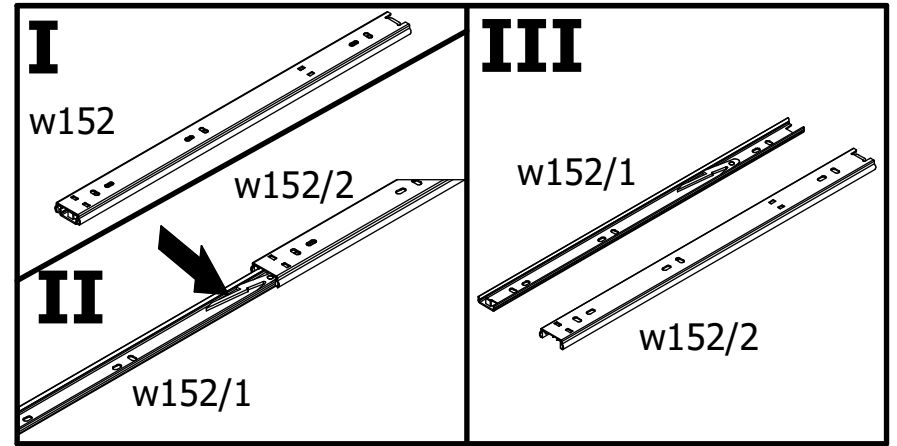
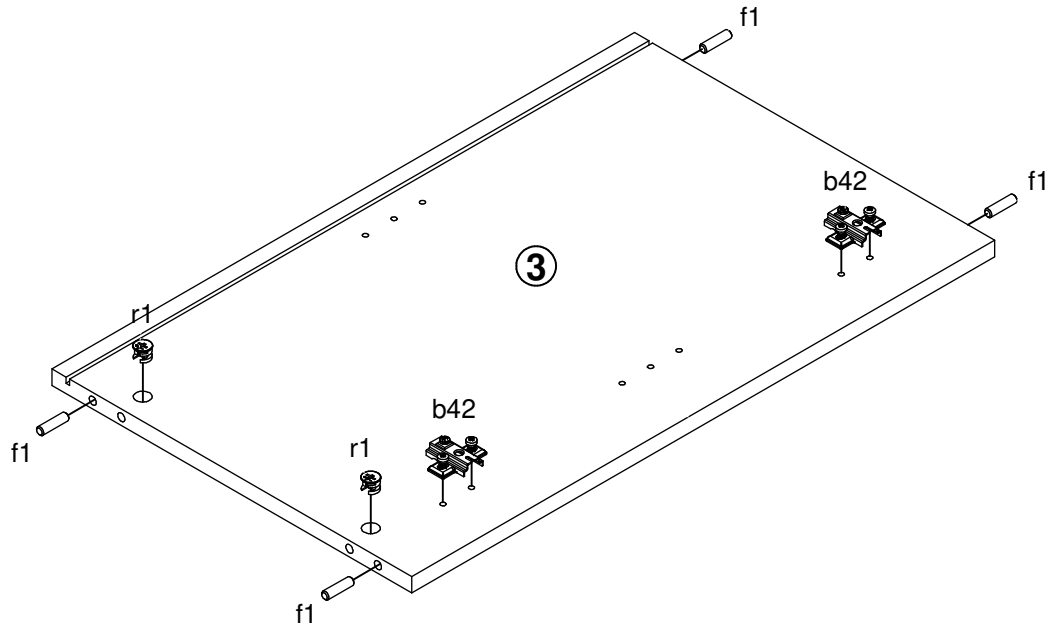
A

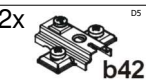
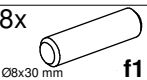

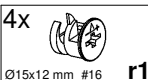



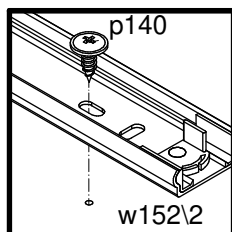
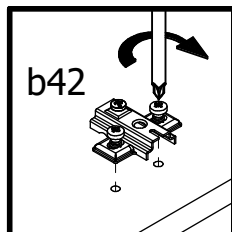
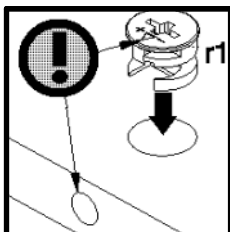
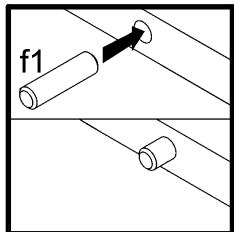
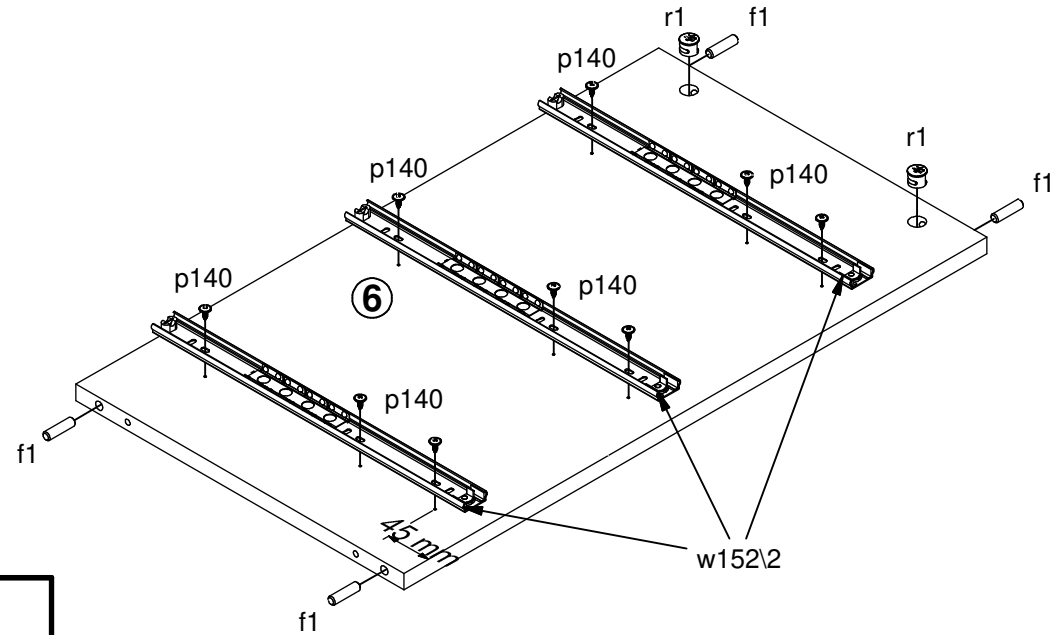
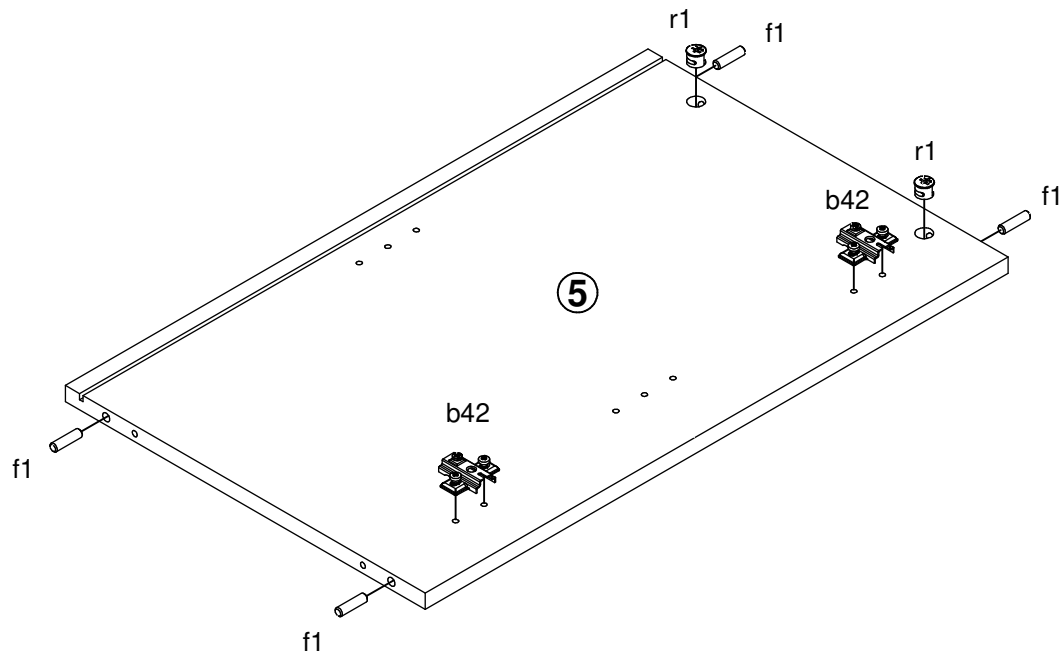
B

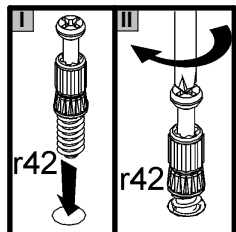
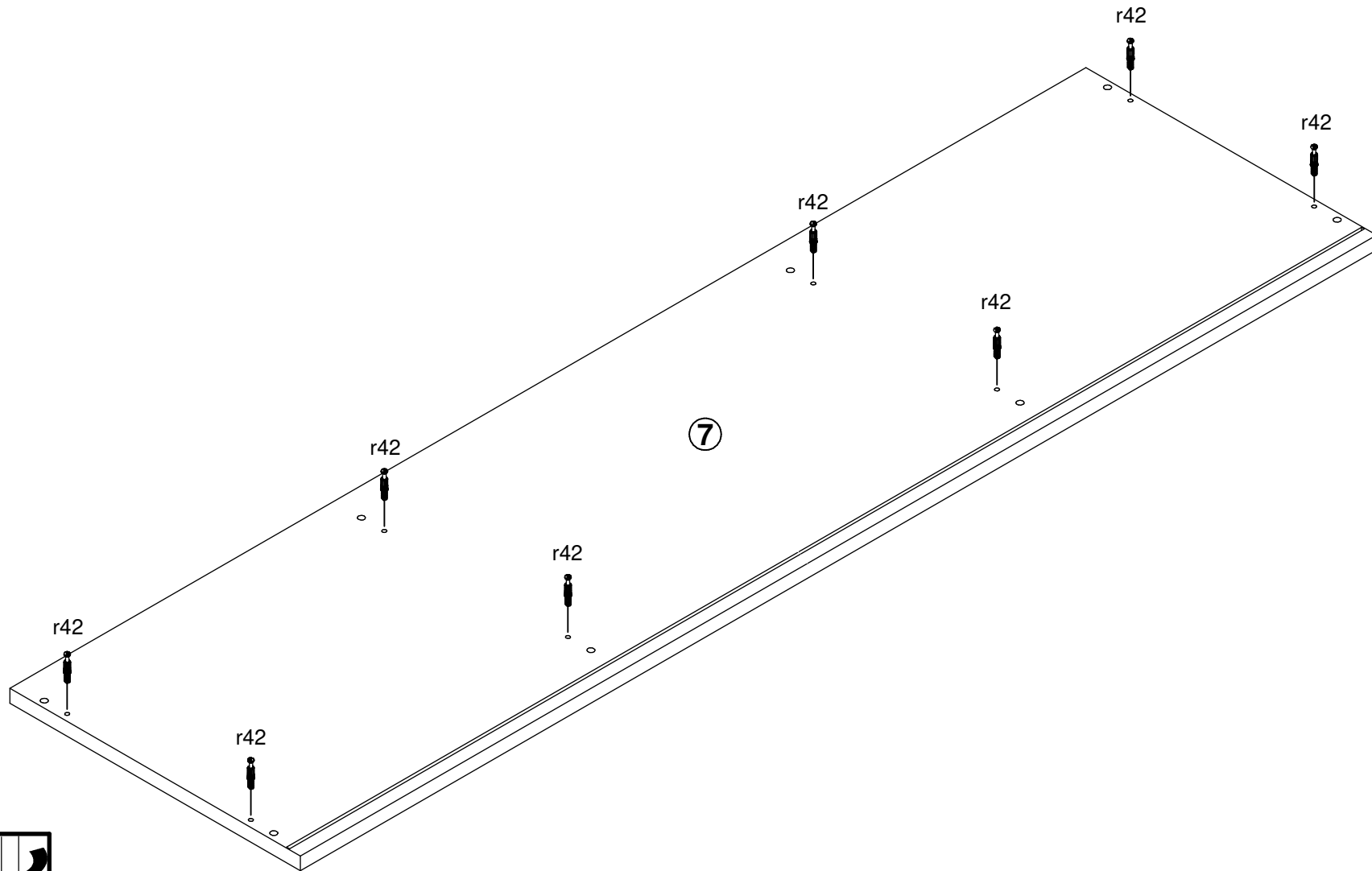
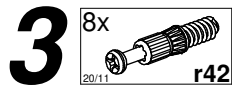


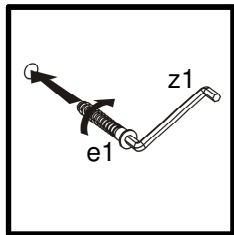
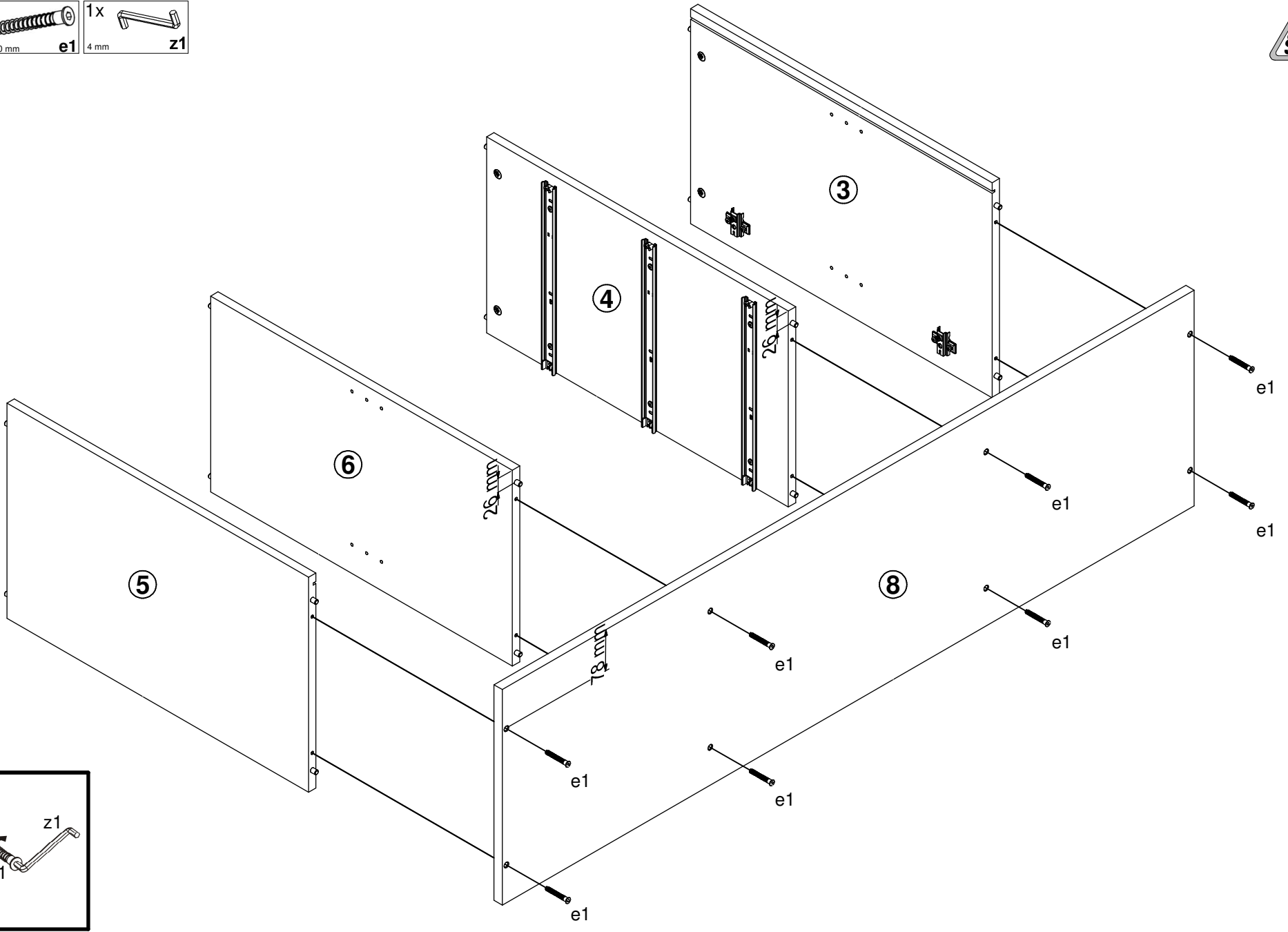
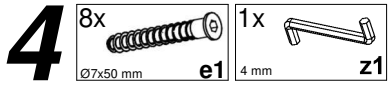
- 1**
- 2x  **b42**
 - 8x  **f1**
Ø8x30 mm
 - 9x  **p140**
Ø3,5x12 mm
 - 4x  **r1**
Ø15x12 mm #16
 - 3x  **w152\2**
350/580 mm



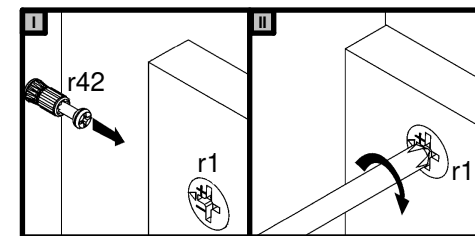
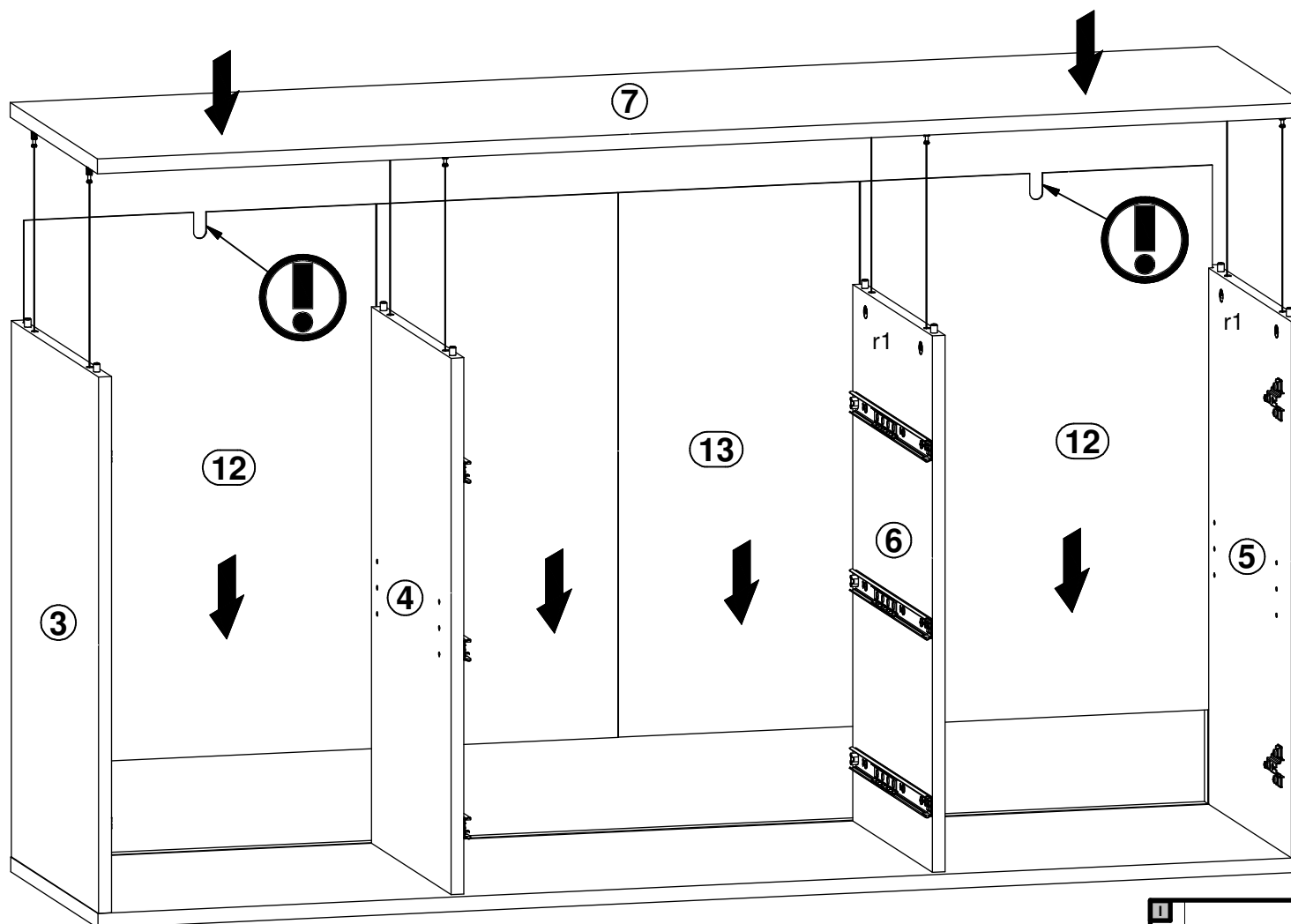
- 2** 2x  ^{DS} b42 8x  f1 9x  p140 4x  r1 3x  w152\2


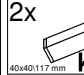
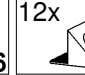
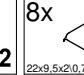
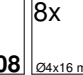
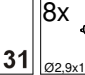


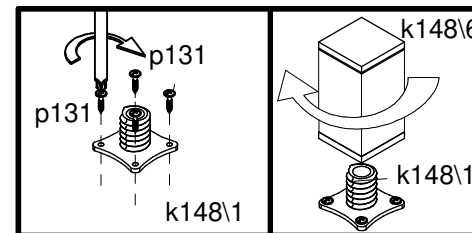
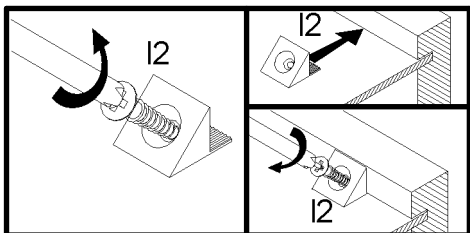
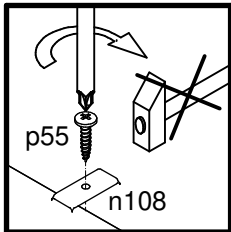
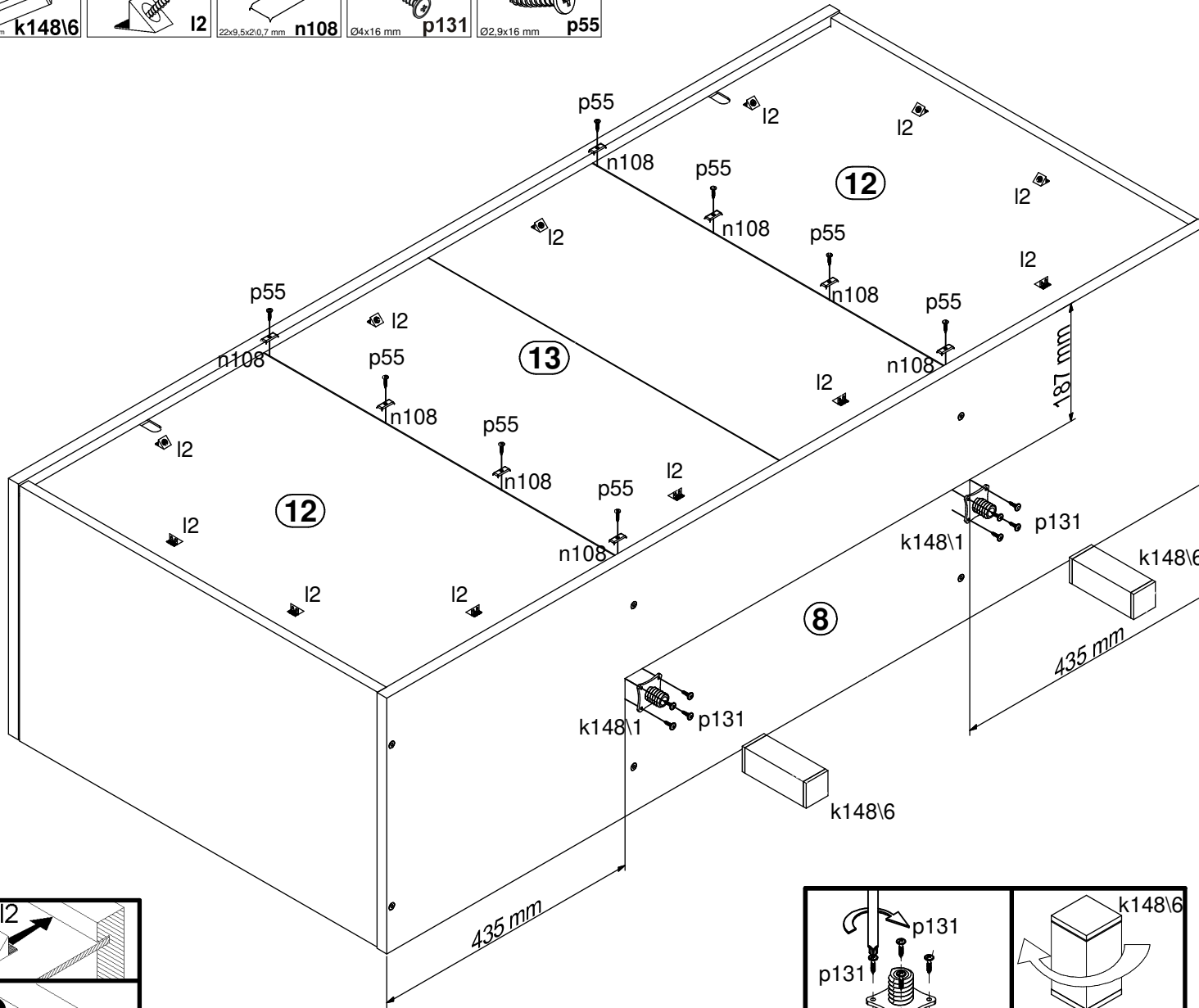
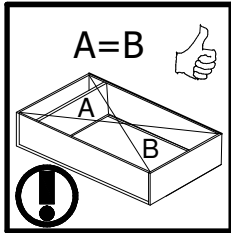


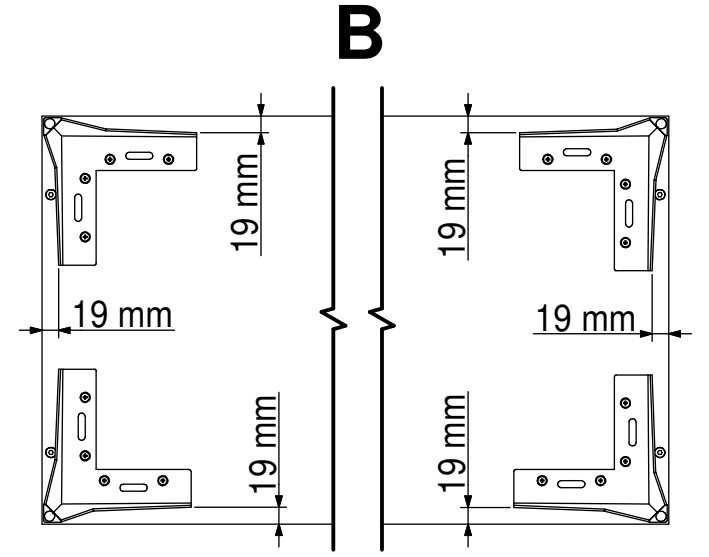
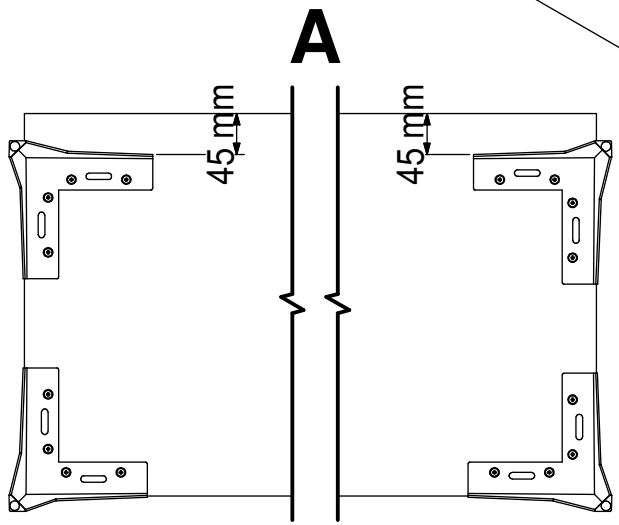
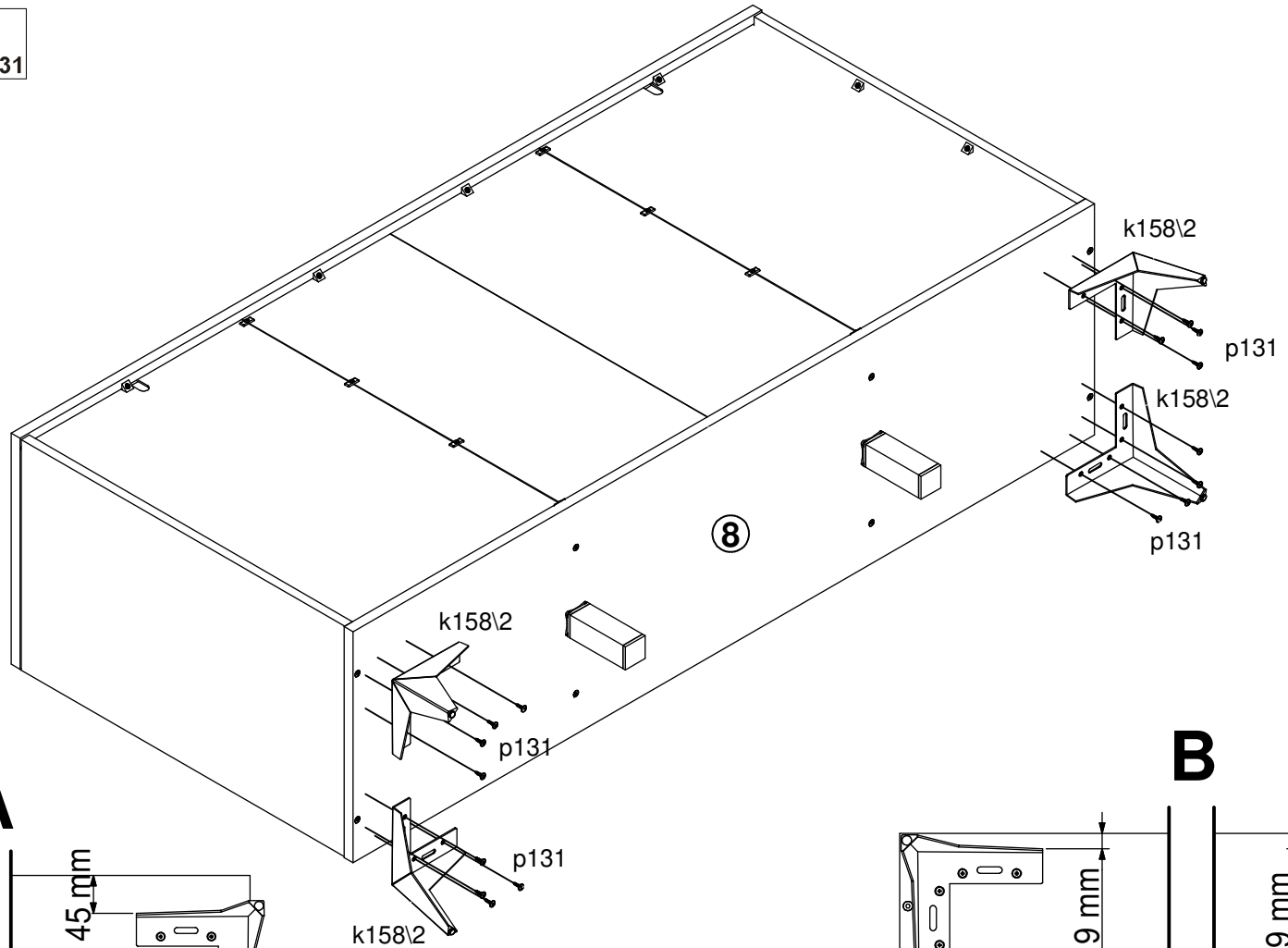
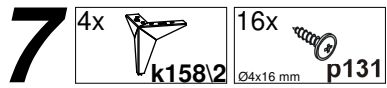


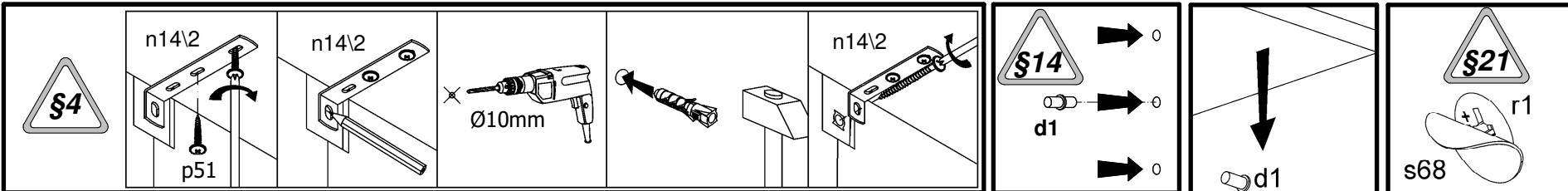
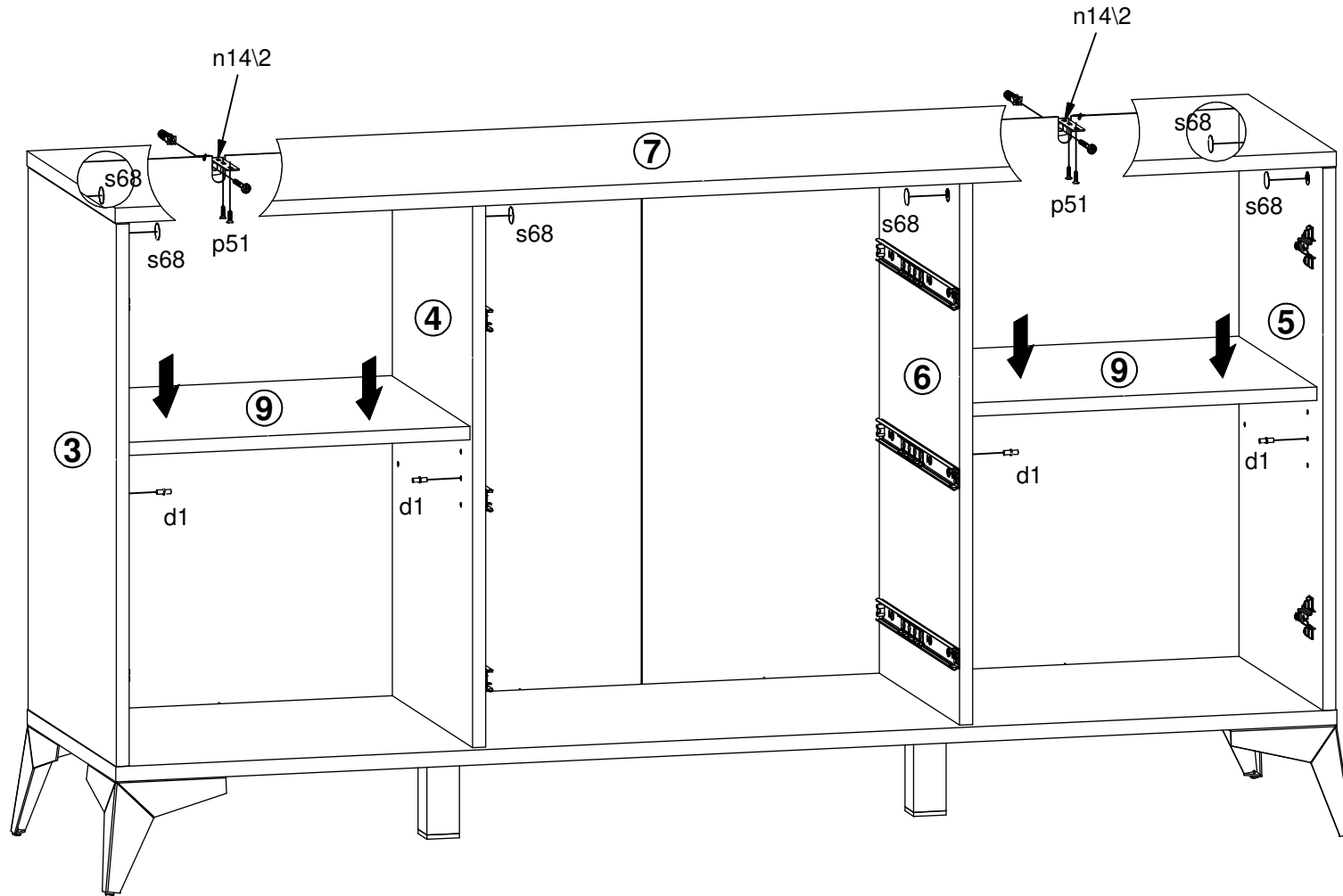
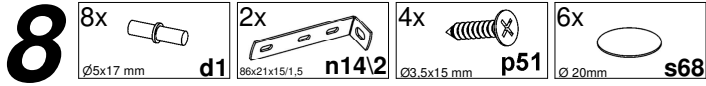
5

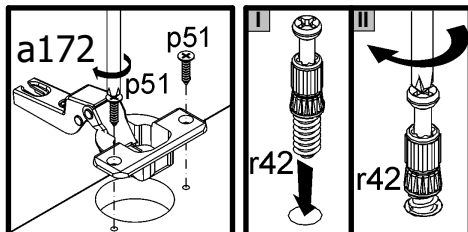
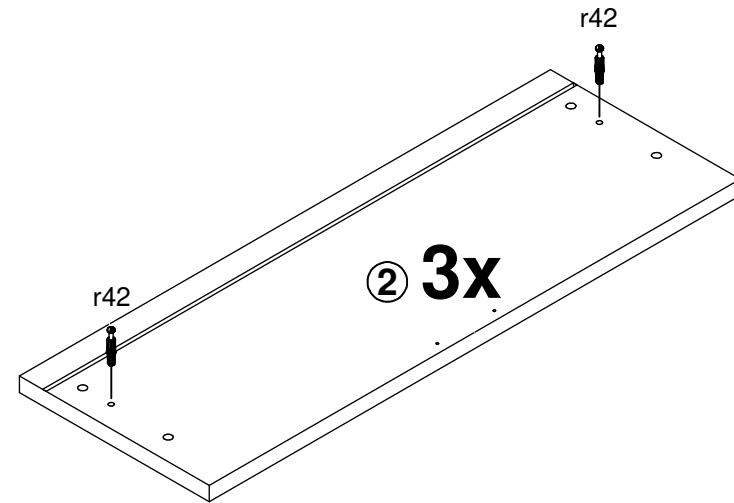
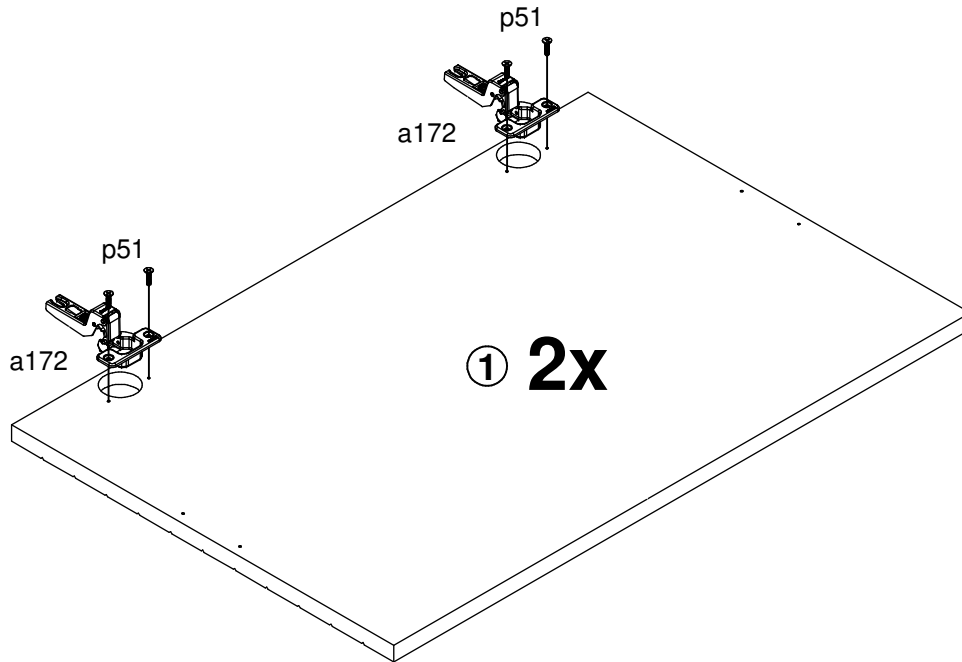
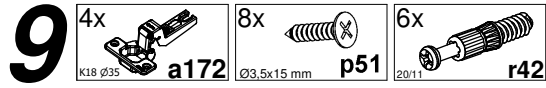


- 6** 2x  k148\1
- 2x  k148\6
- 12x  l2
- 8x  n108
- 8x  p131
- 8x  p55

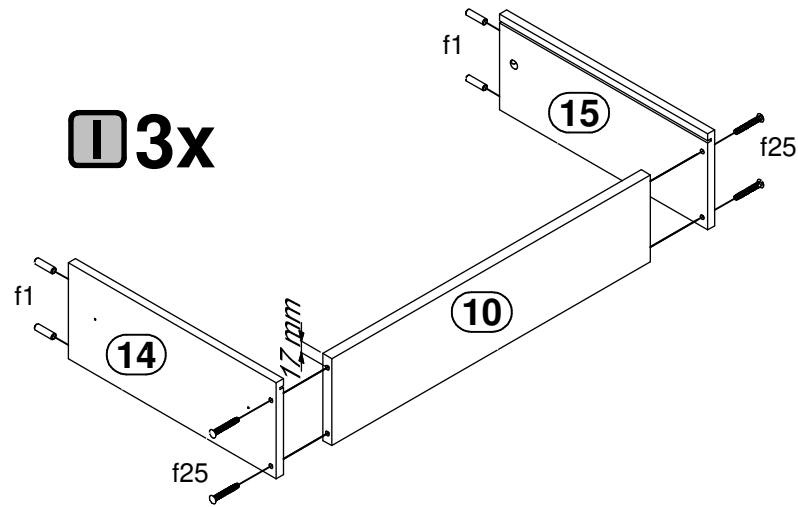
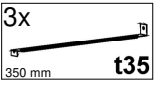
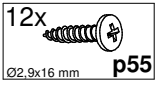
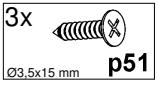
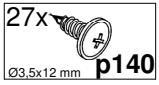
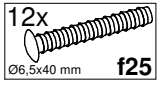
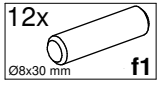
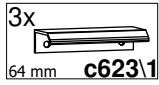






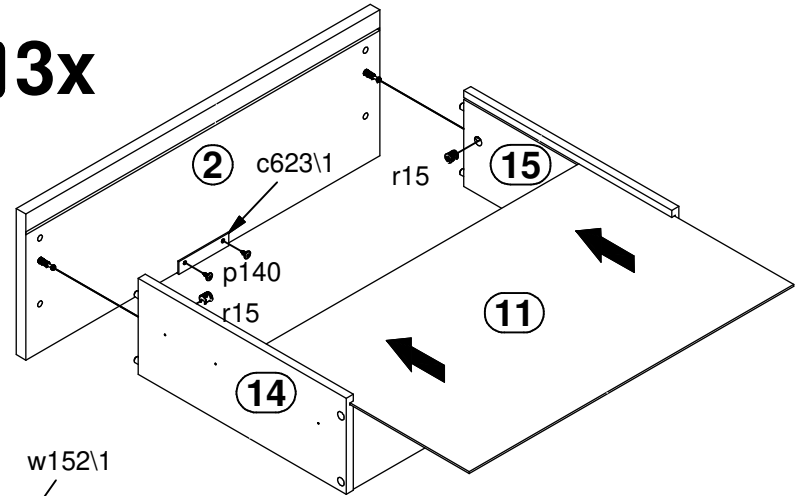


10



3x

3x



3x

