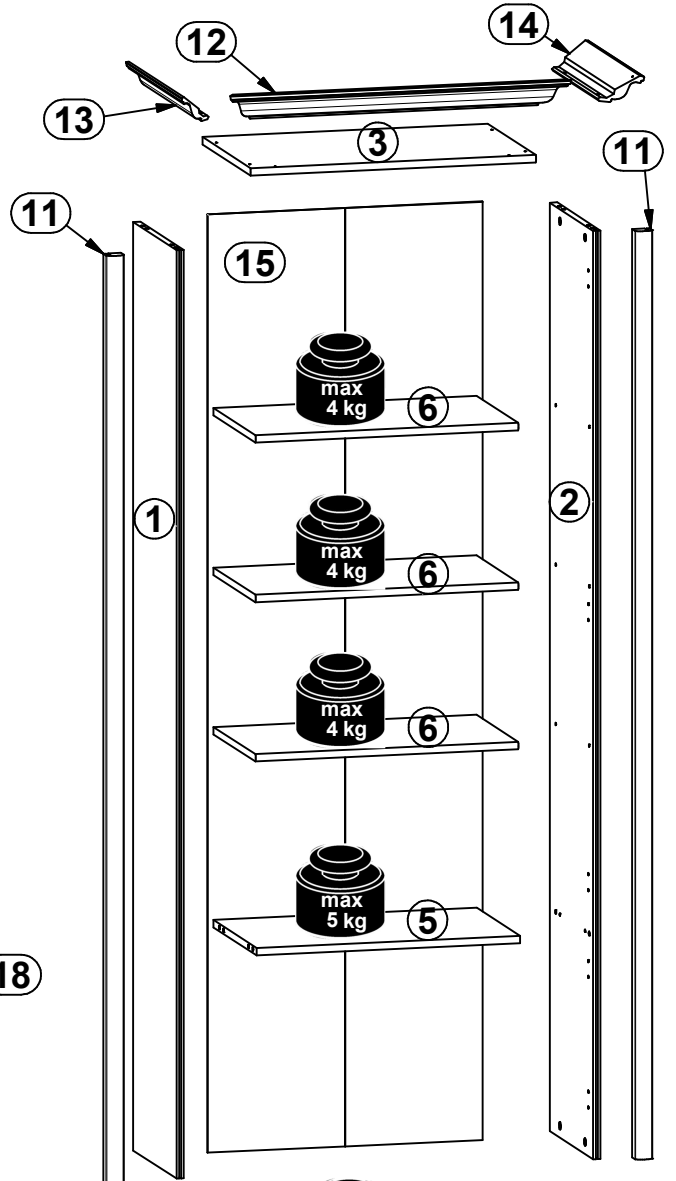
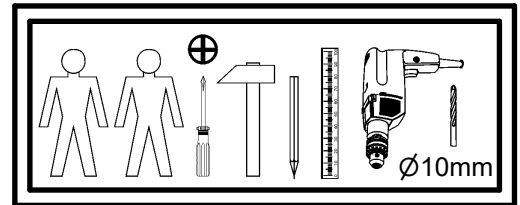


A

KENT

S447-EWIT1DL / EWIT1DP

A	B	C	D
1	S447-1021	1870	333
2	S447-1022	1870	333
3	S447-2017	586	370
4	S447-2018	612	380
5	S447-3009	541	333
6	S447-3010	540	322
7	S447-4001	500	65
8	S447-4006	288	65
9	S447-5002	500	40
10	S447-5003	70	54
11	S447-5014	1870	36
12	S447-5029	700	92,5
13	S447-5030	427	92,5
14	S447-5031	427	92,5
15	S447-9309	1890	565

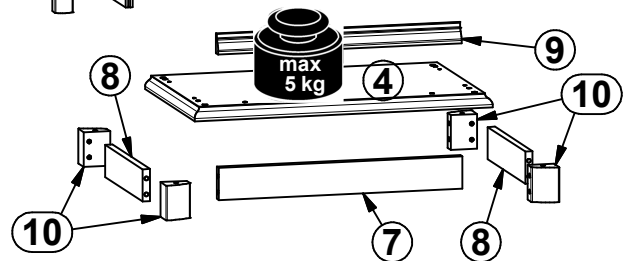
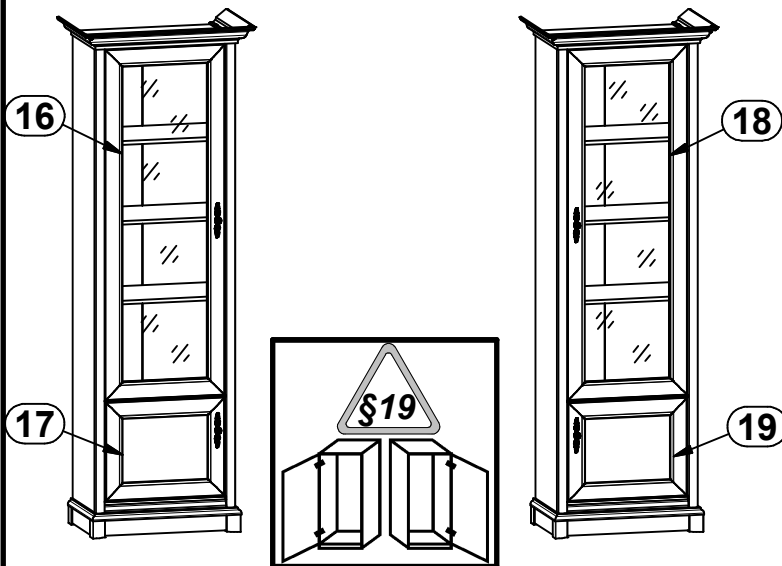


§14 EWIT1DL

16	S447-0016	1416	495	3/4
17	S447-0017	403	495	4/4

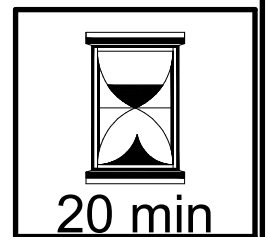
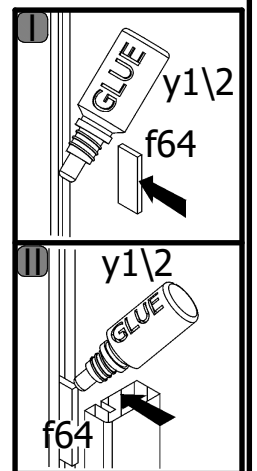
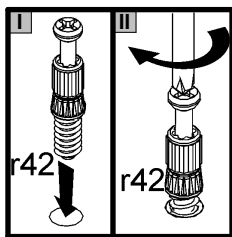
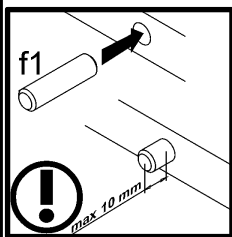
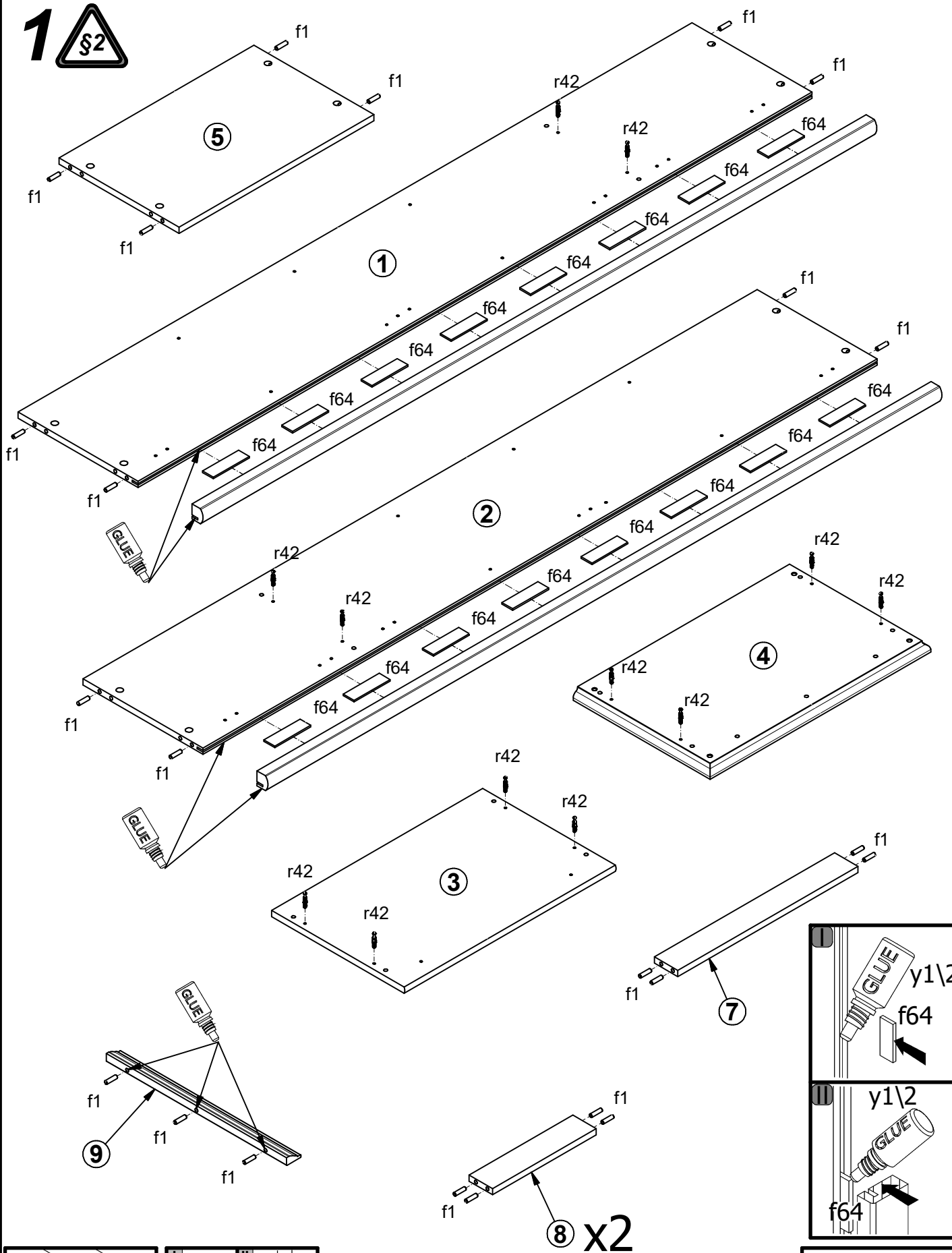
§14 EWIT1DP

18	S447-0018	1416	495	3/4
19	S447-0019	403	495	4/4

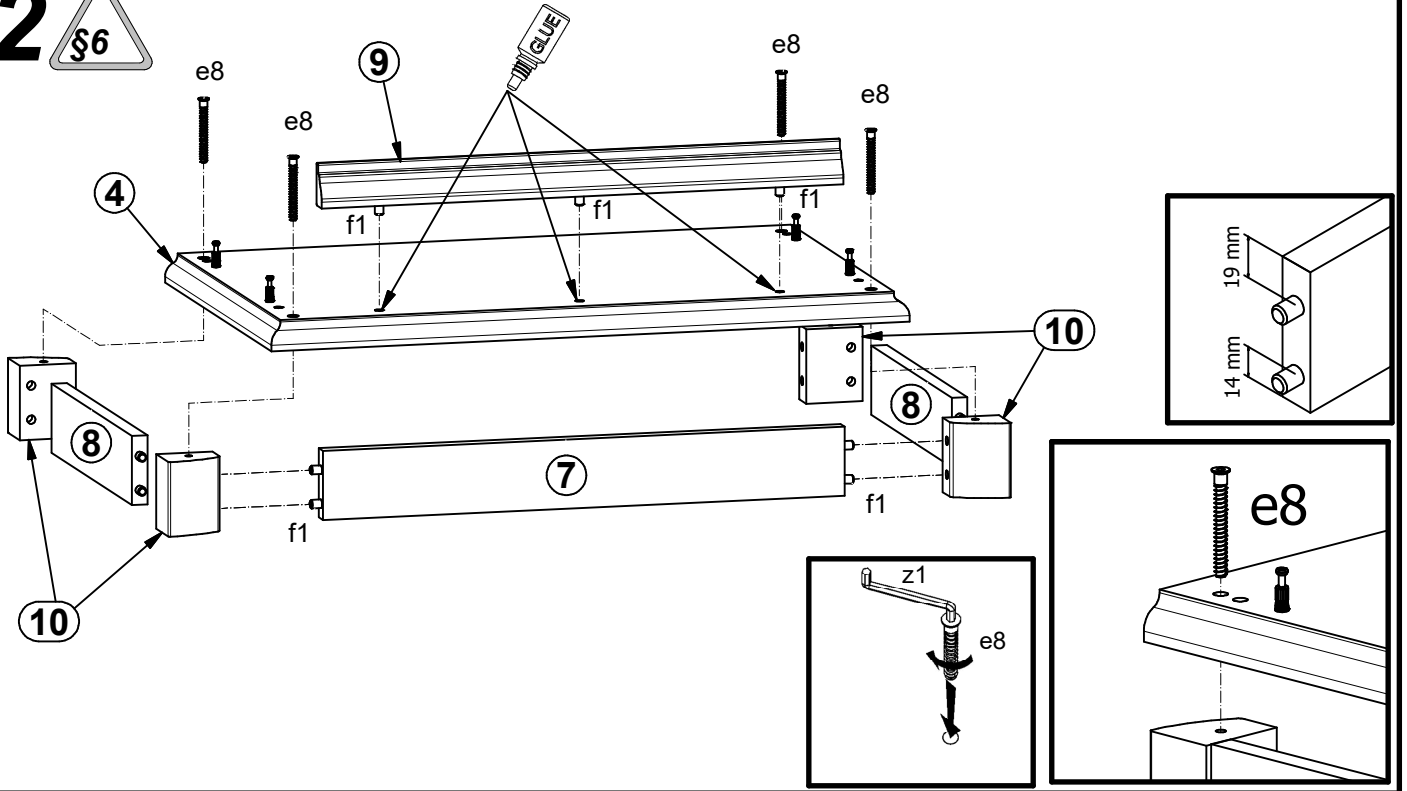


5x K18 Ø35 a172	5x Ø24,5 b85	2x c35\1	2x c35\2	12x Ø5x17 mm d1	1x Ø6,3x15 mm d4	4x Ø7x60 mm e8	27x Ø8x30 mm f1	16x 100x30\3,8 mm f64
2x M4x30 mm j6	55x 1,4x20 mm l1	2x 26x26x16\1-125° n40	6x Ø4x20 mm p39	4x Ø3x7 mm p46	10x Ø3,5x15 mm p51	12x Ø15x12 mm #16 r1	12x 20\11 r42	8x Ø16 s2
1x 30g y1\2	1x 4 mm z1							
						1x n26		1x Ø3,5x16 mm p38

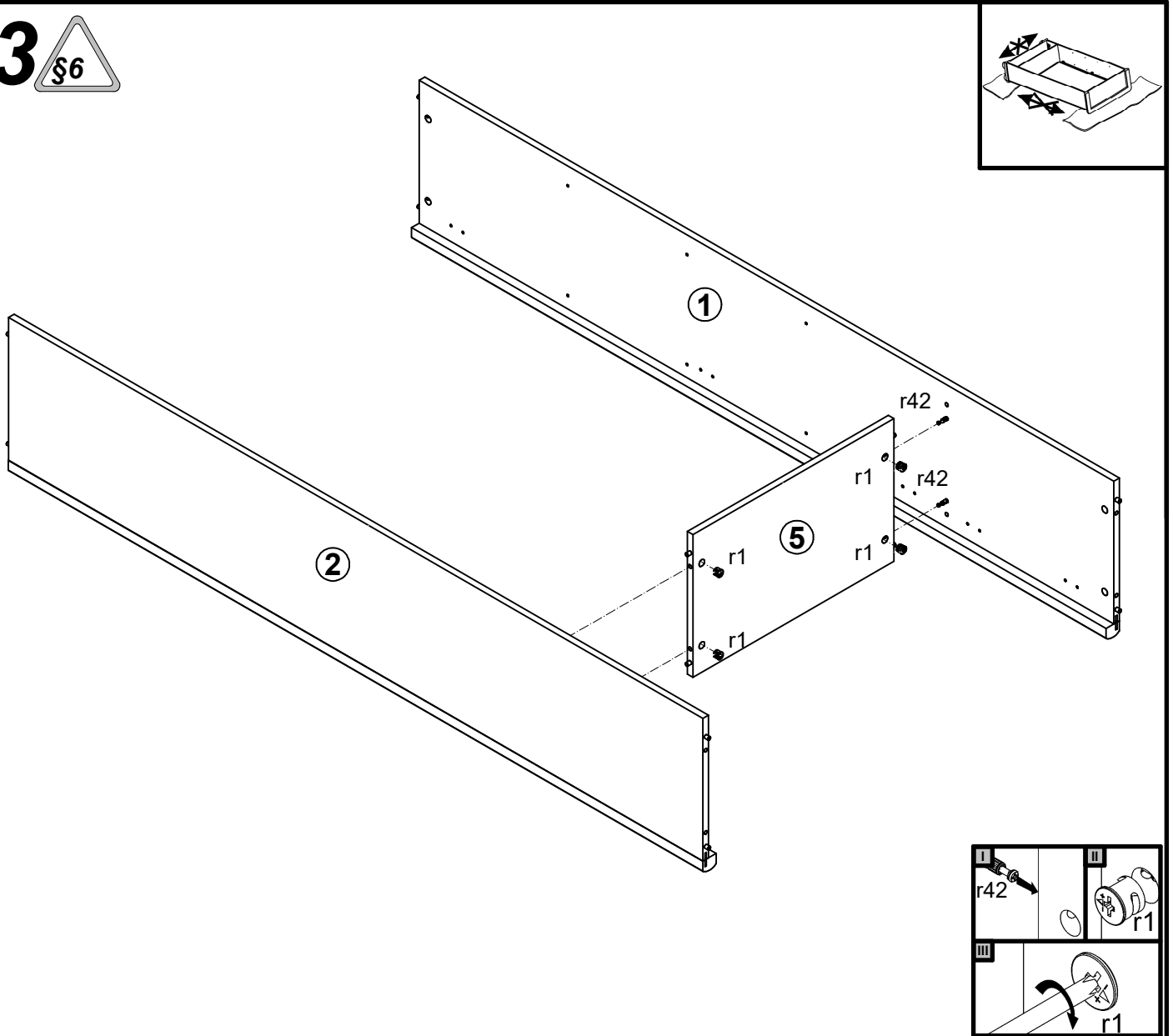
1 



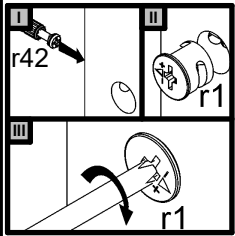
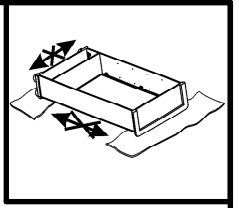
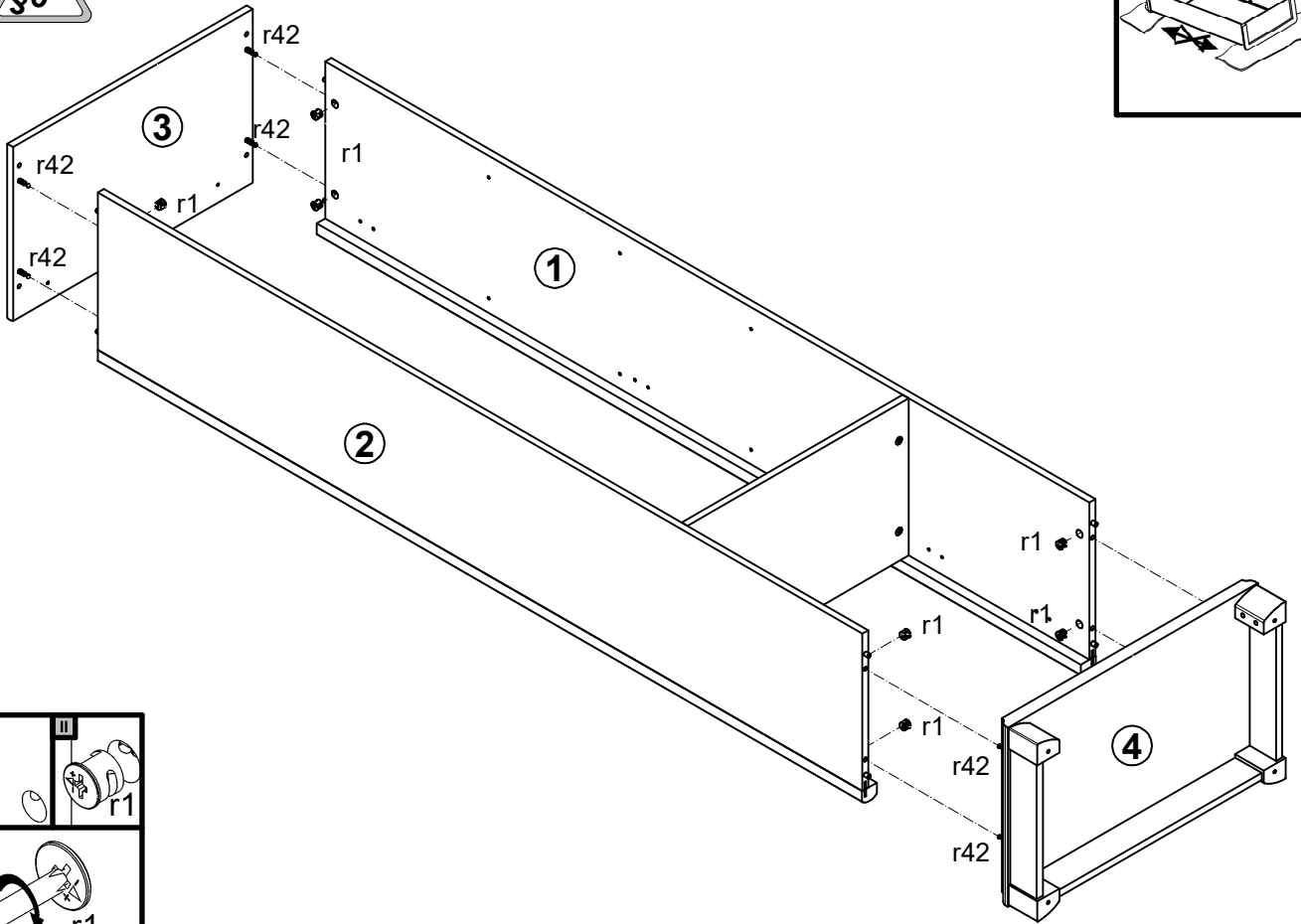
2 §6



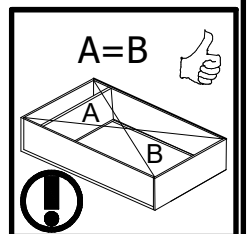
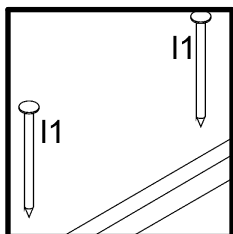
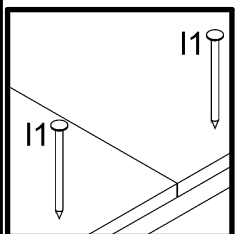
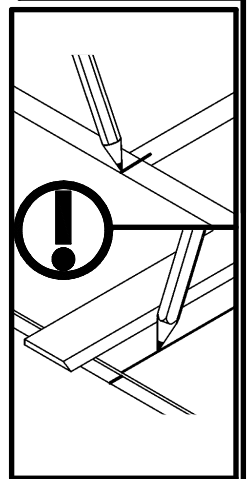
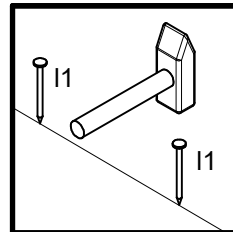
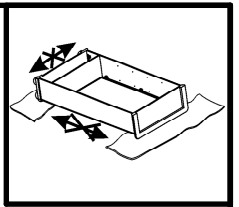
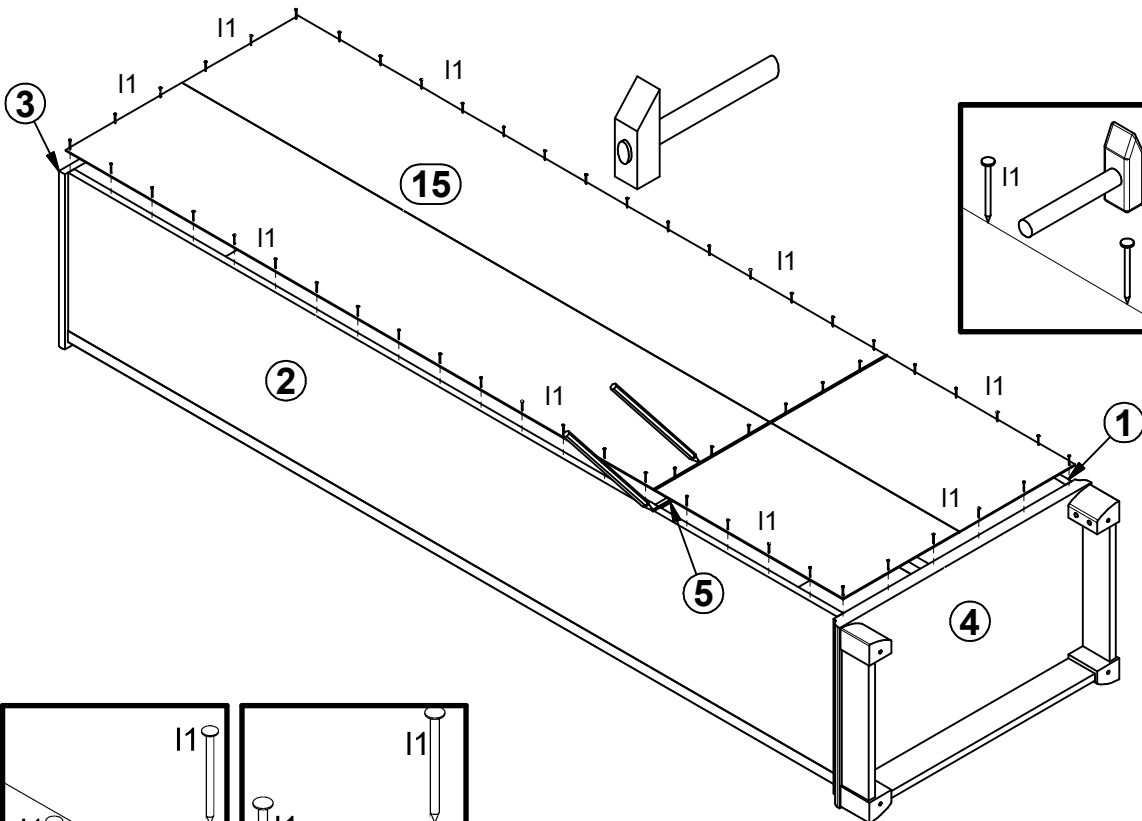
3 §6



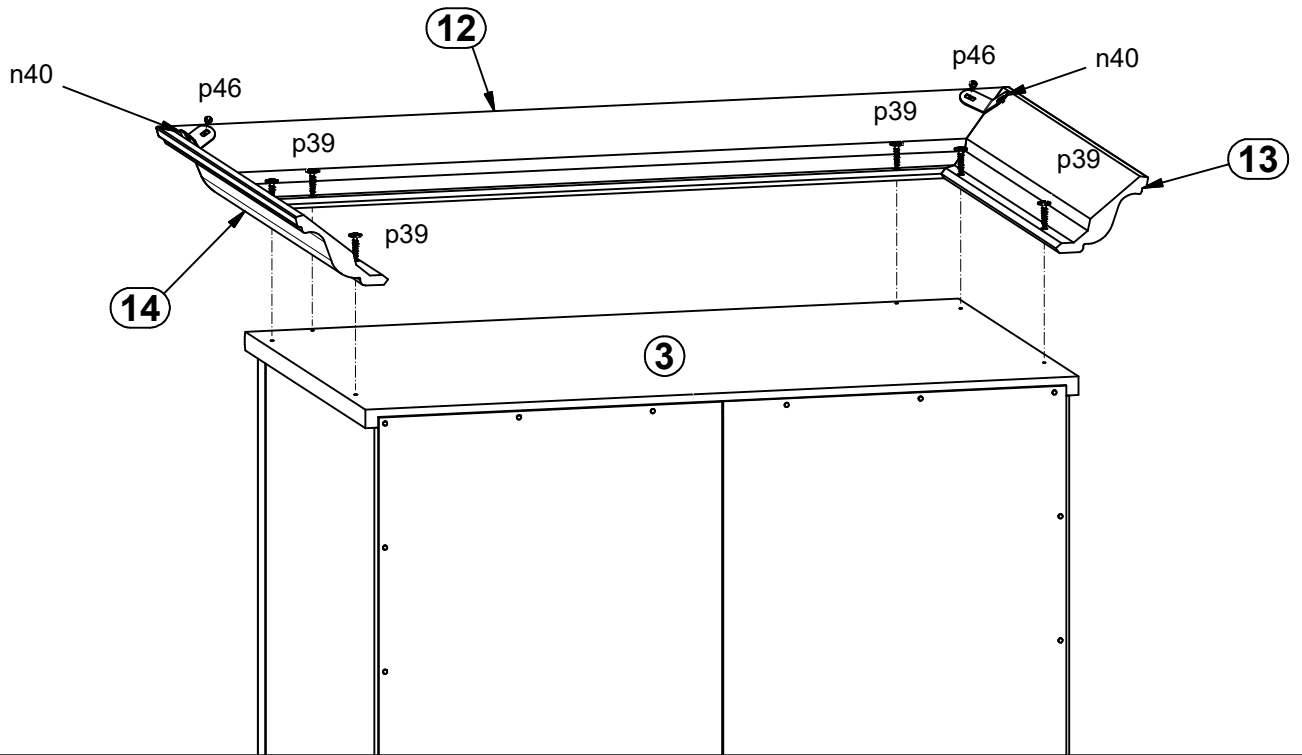
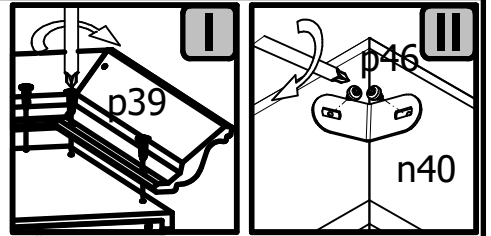
4



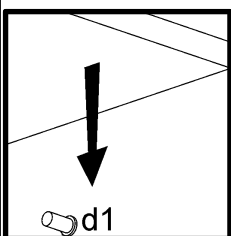
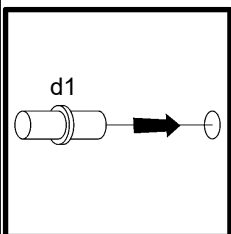
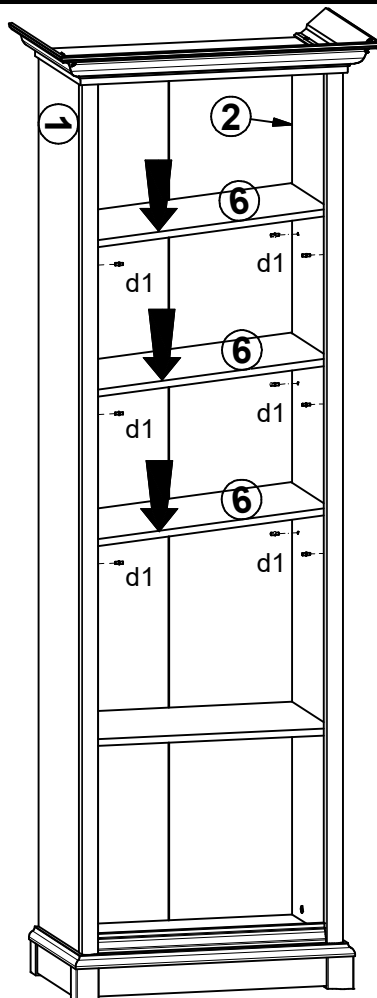
5



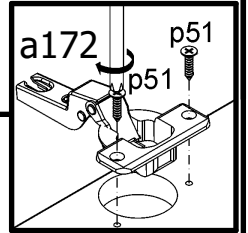
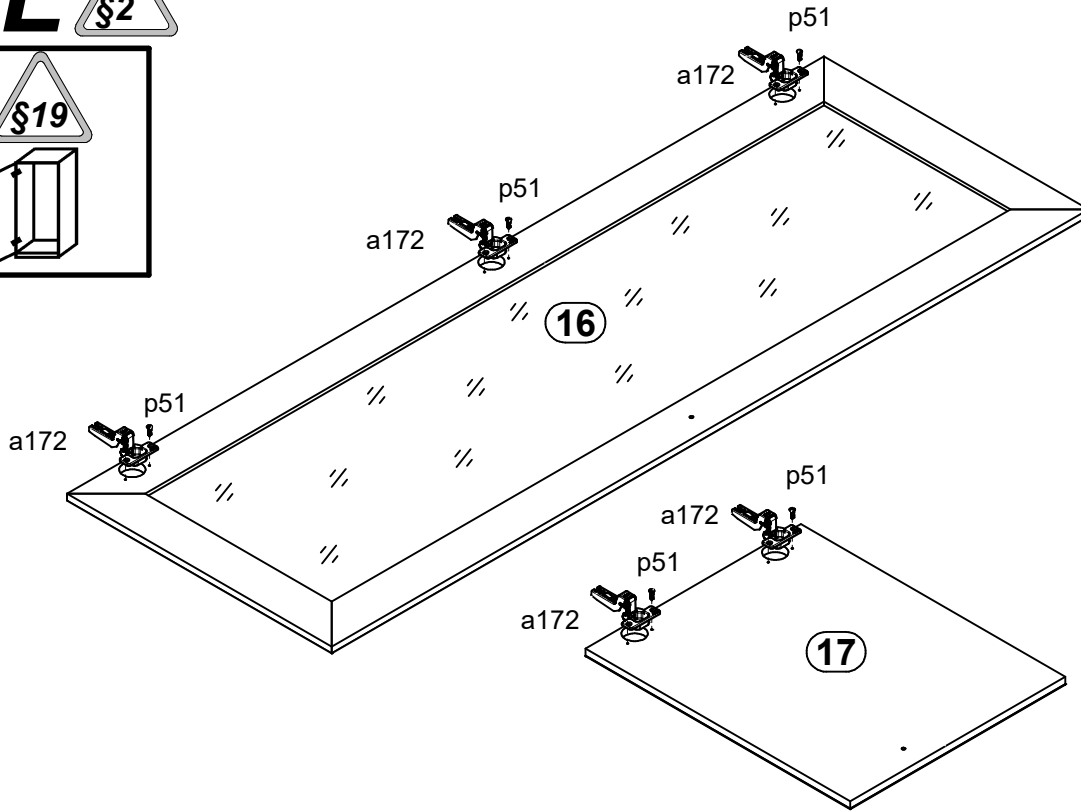
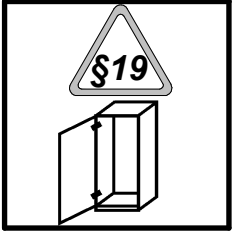
6 §6



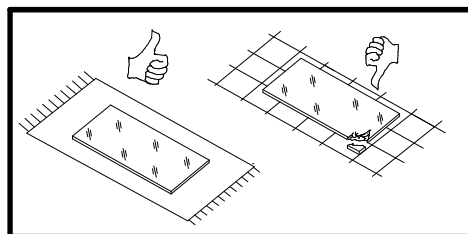
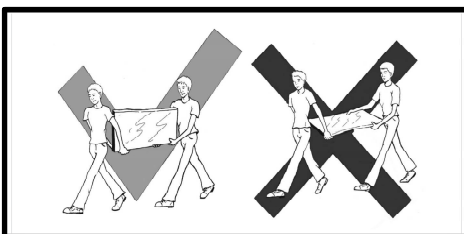
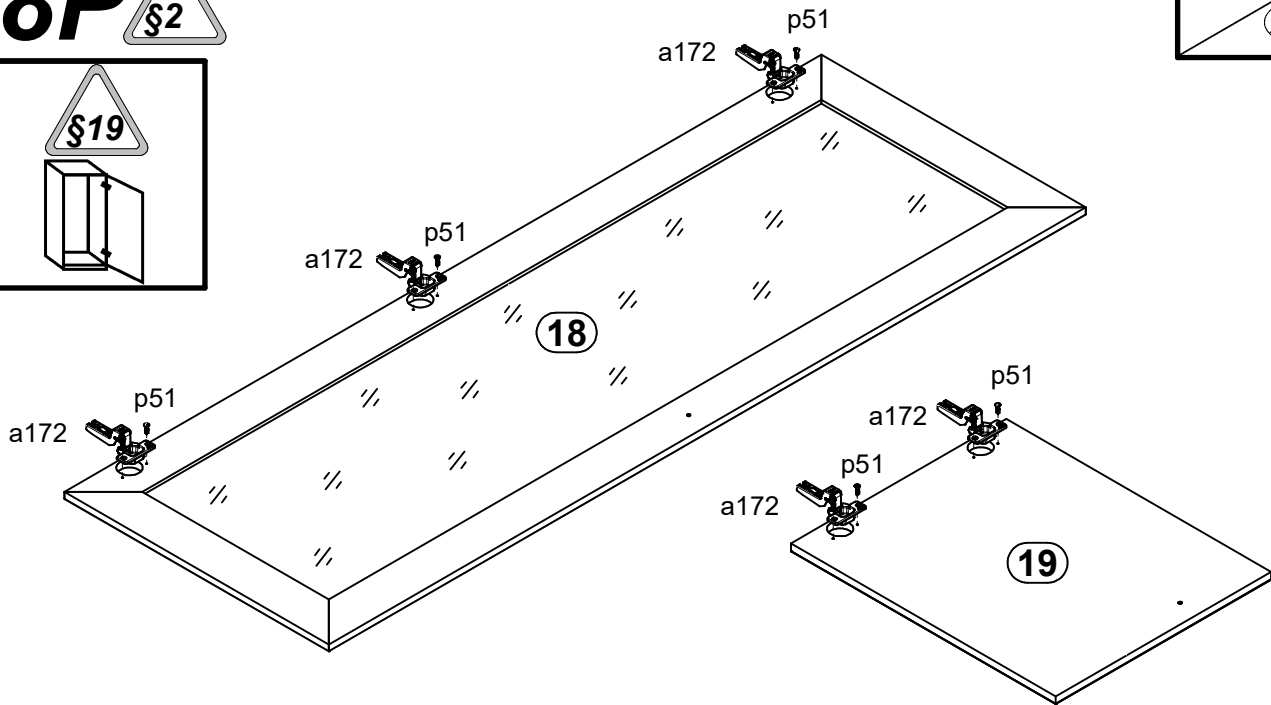
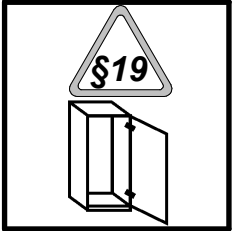
7 §6



8L



8P



9 §6

