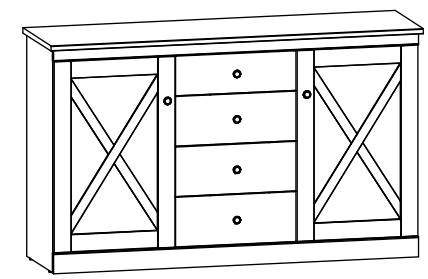
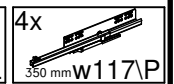
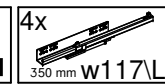
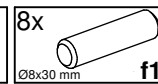
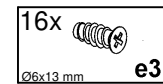
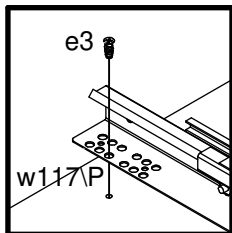
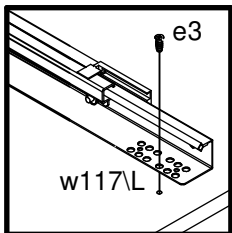
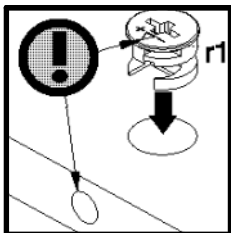
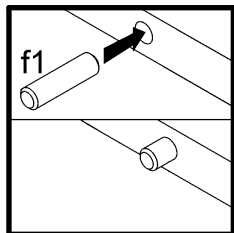
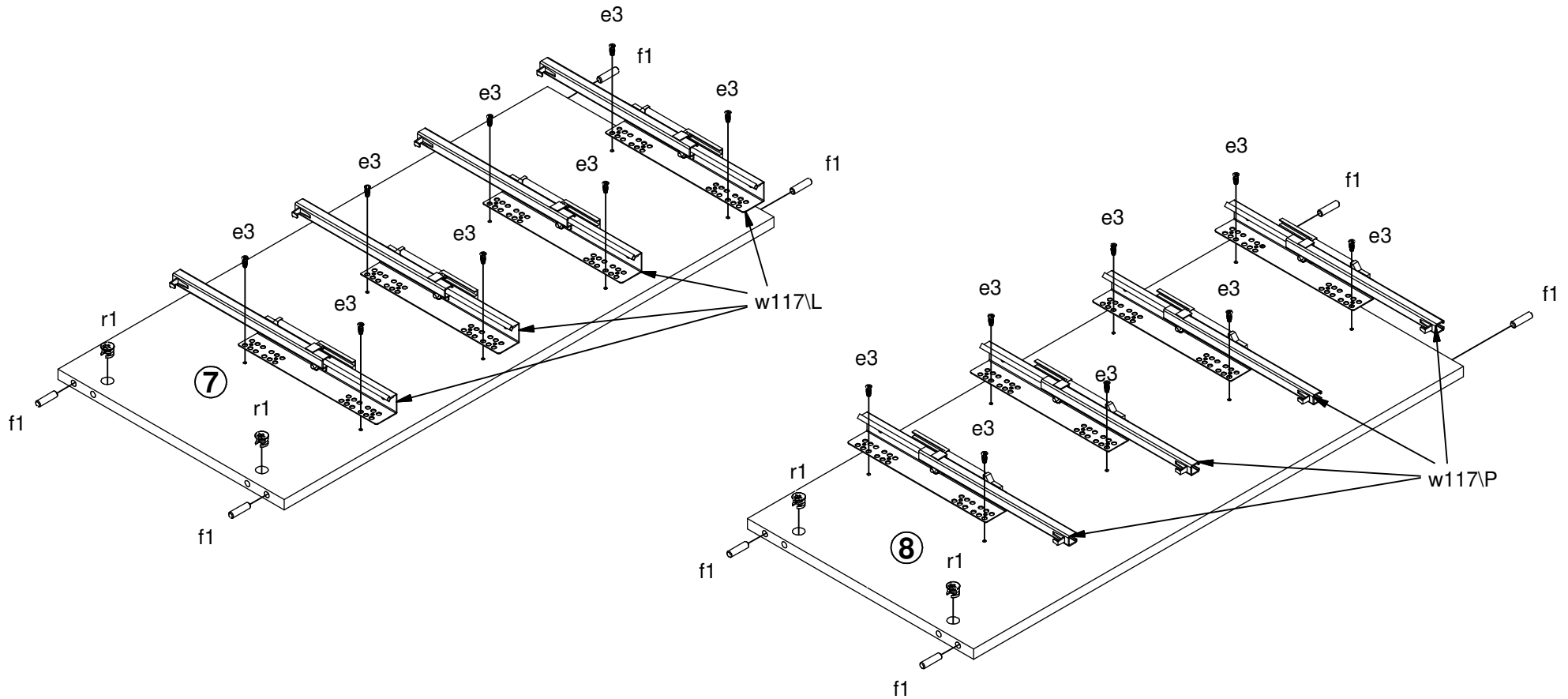


A	B	C (mm)			D
1	S611-0002	496	200	15	3/3
2	S611-0003	496	160	15	3/3
3	S611-0004	769	496	19	3/3
4	S611-0005	769	496	19	3/3
5	S611-1005	900	395	15	1/3
6	S611-1006	900	395	15	1/3
7	S611-1007	812	375	15	1/3
8	S611-1008	812	375	15	1/3
9	S611-2002	1529	433	22	2/3
10	S611-3003	1467	375	15	2/3
11	S611-3004	475	370	15	1/3
12	S611-5005	1499	80	22	2/3
13	S611-5006	1499	43	22	2/3
14	S611-9003	454	357	2,5	2/3
15	S611-9301	831	489	2,5	2/3
16	S611-9302	831	489	2,5	2/3
17	S611-9303	831	499	2,5	2/3
18	WSQ2-5005	350	110	12	2/3
19	WSQ2-5006	350	110	12	2/3
20	ZO6-5288	444	97	15	2/3

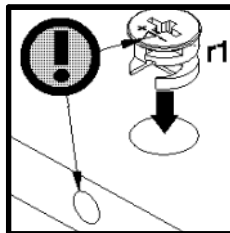
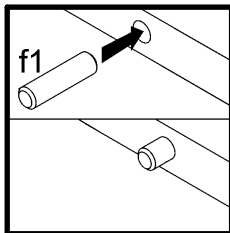
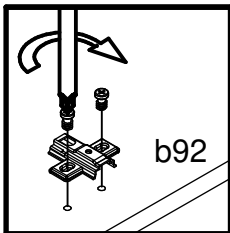
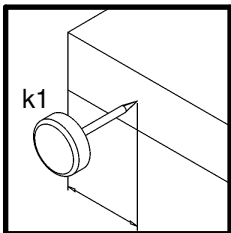
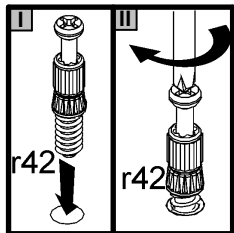
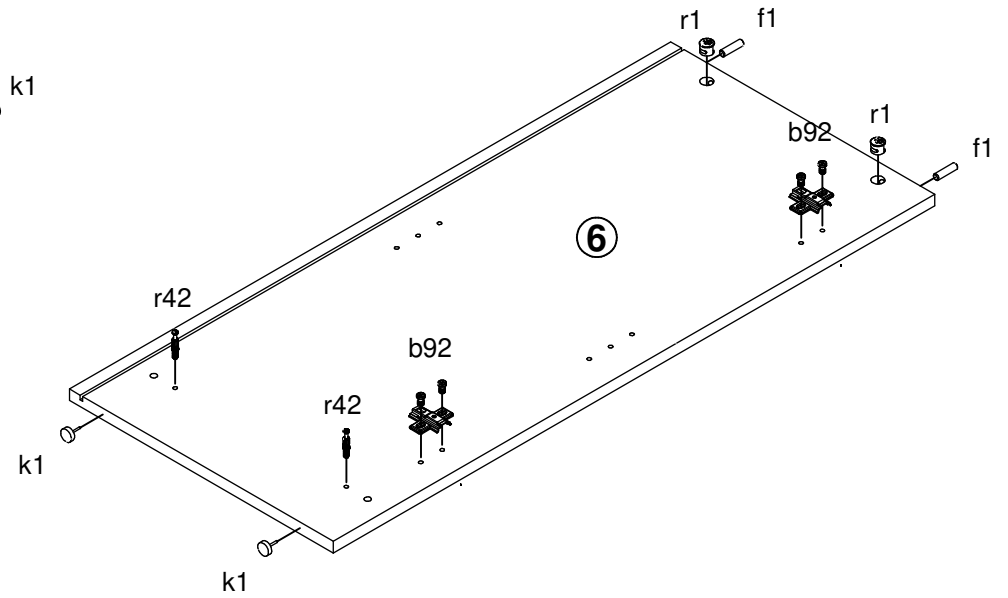
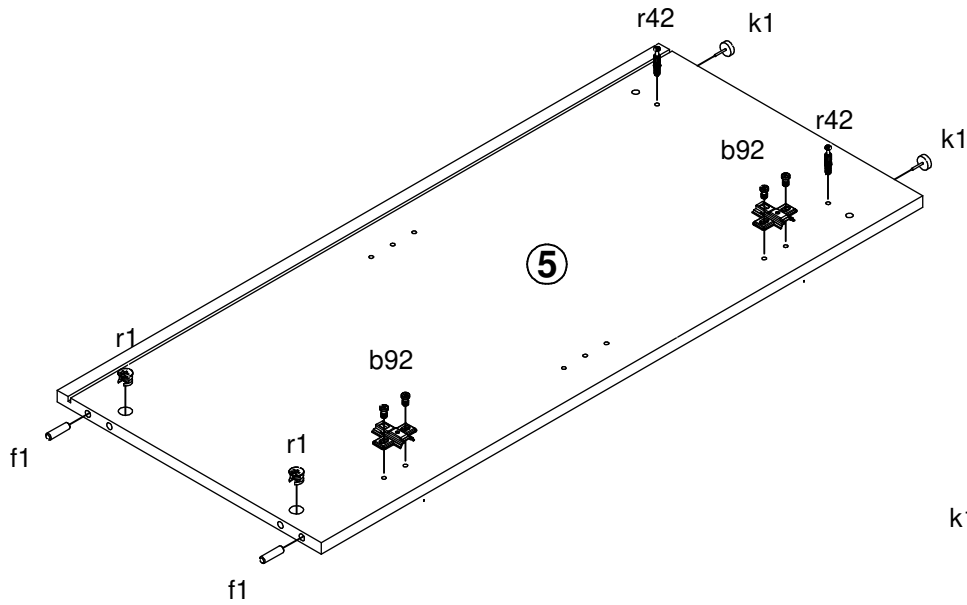


2x a204	2x a211	4x b92	6x c579	cm 0 1 2 3 4 5 6 7 8 9 10							8x d1	8x d41\2	4x e1	D 1/3
16x e3	32x f1	16x f25	2x f35	6x j8	4x k1	2x k38\10	2x k38\3	7x l2	8x n108	2x n142	2x p17	44x p38		
8x p51	38x p55	12x r1	8x r15	20x r42	4x s68	4x w117\L	4x w117\P	1x z1						

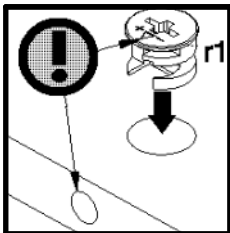
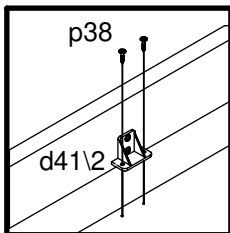
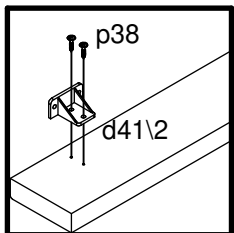
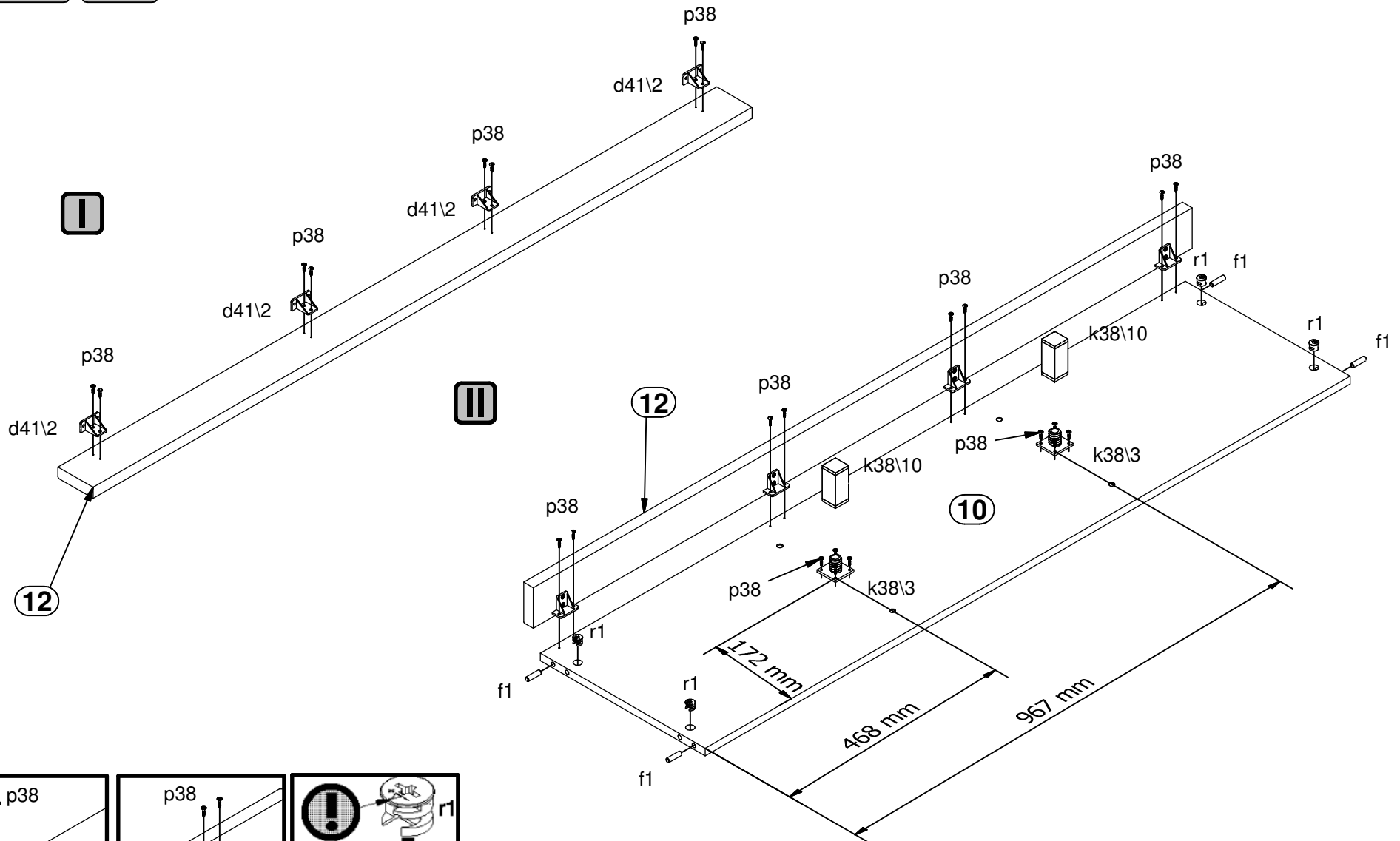
1 

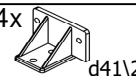
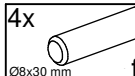

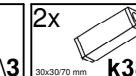
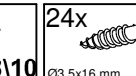
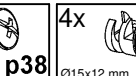


2 

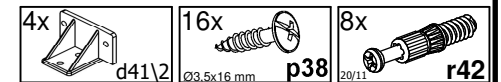
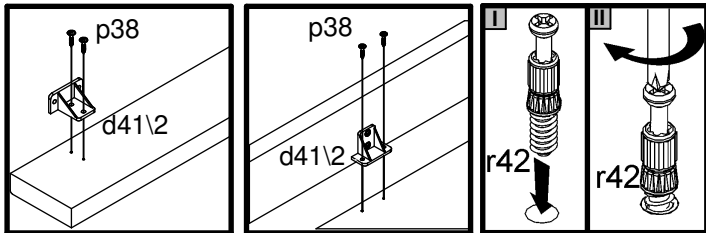
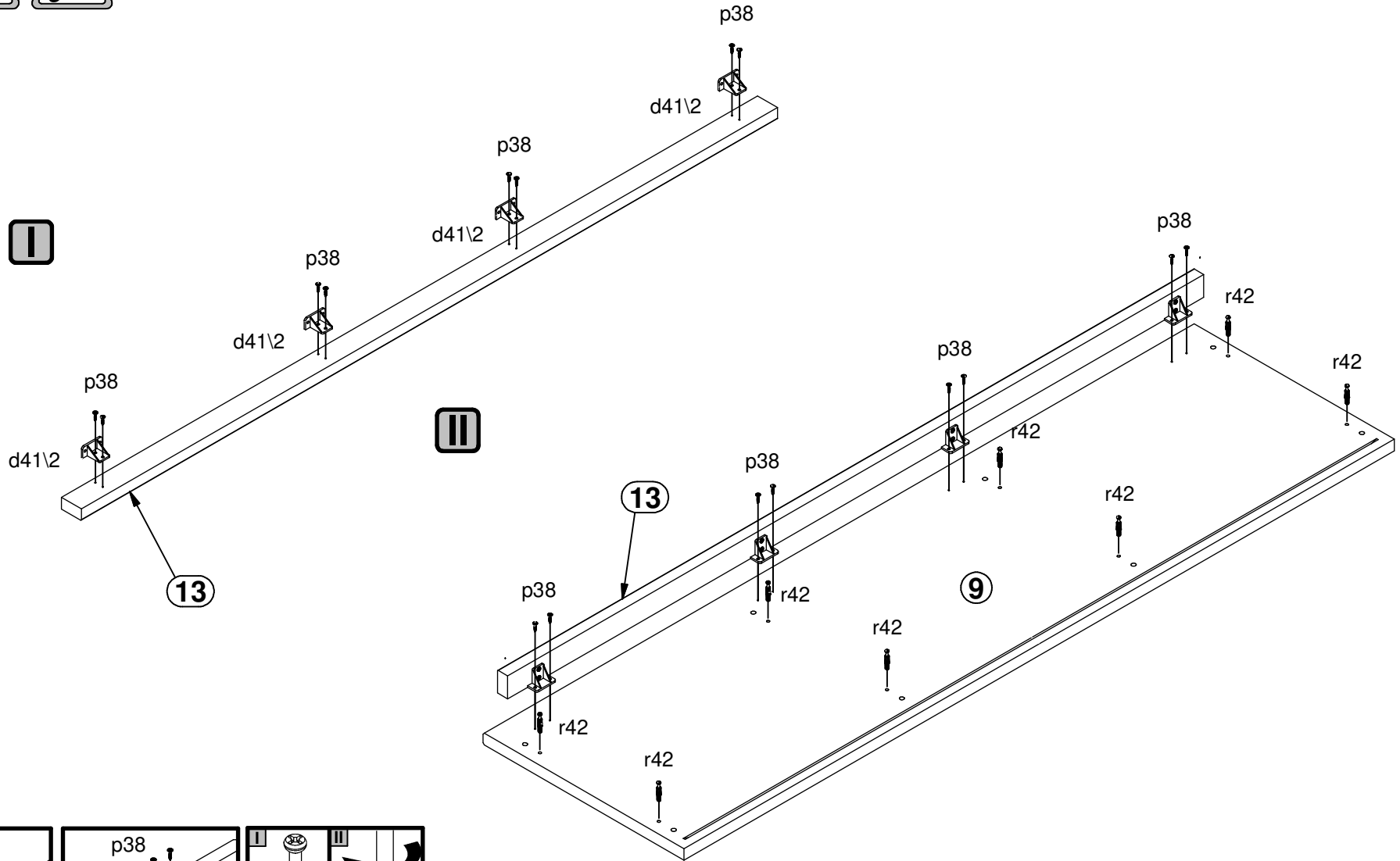


3  



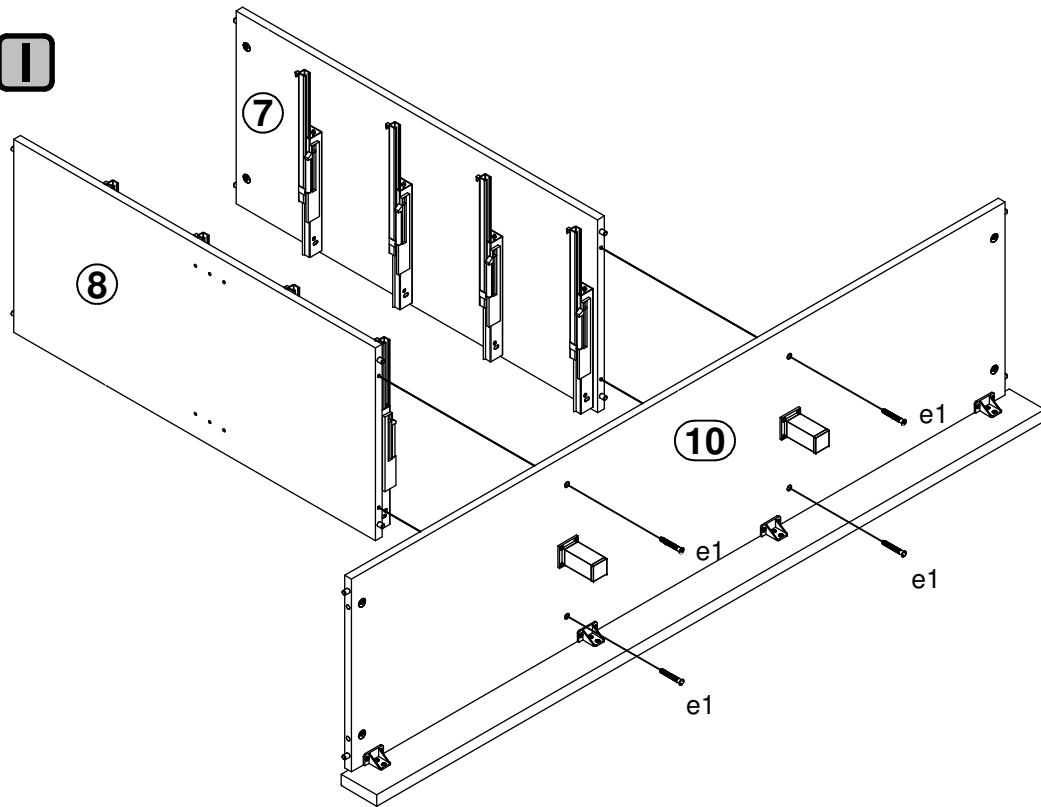
- | | | | | | |
|--|---|--|--|---|--|
| 4x  d41\2 | 4x  f1
Ø8x30 mm | 2x  k38\3
42.5x42.5x4 mm | 2x  k38\10
30x30x70 mm | 24x  p38
Ø3.5x16 mm | 4x  r1
Ø15x12 mm #16 |
|--|---|--|--|---|--|

4  

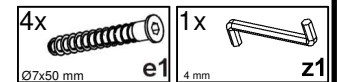
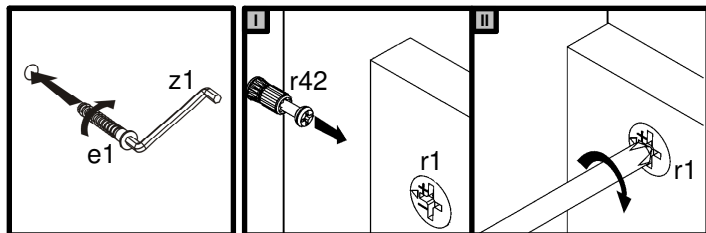
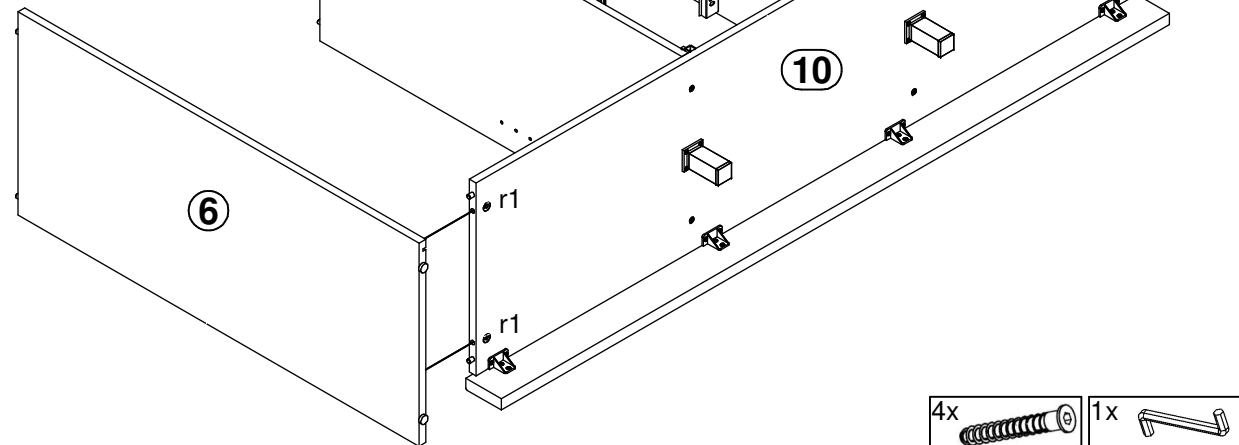


5 

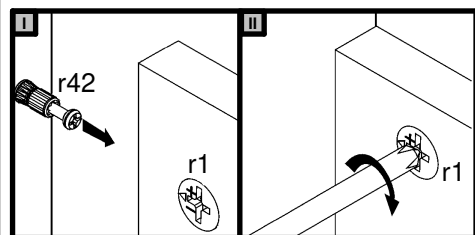
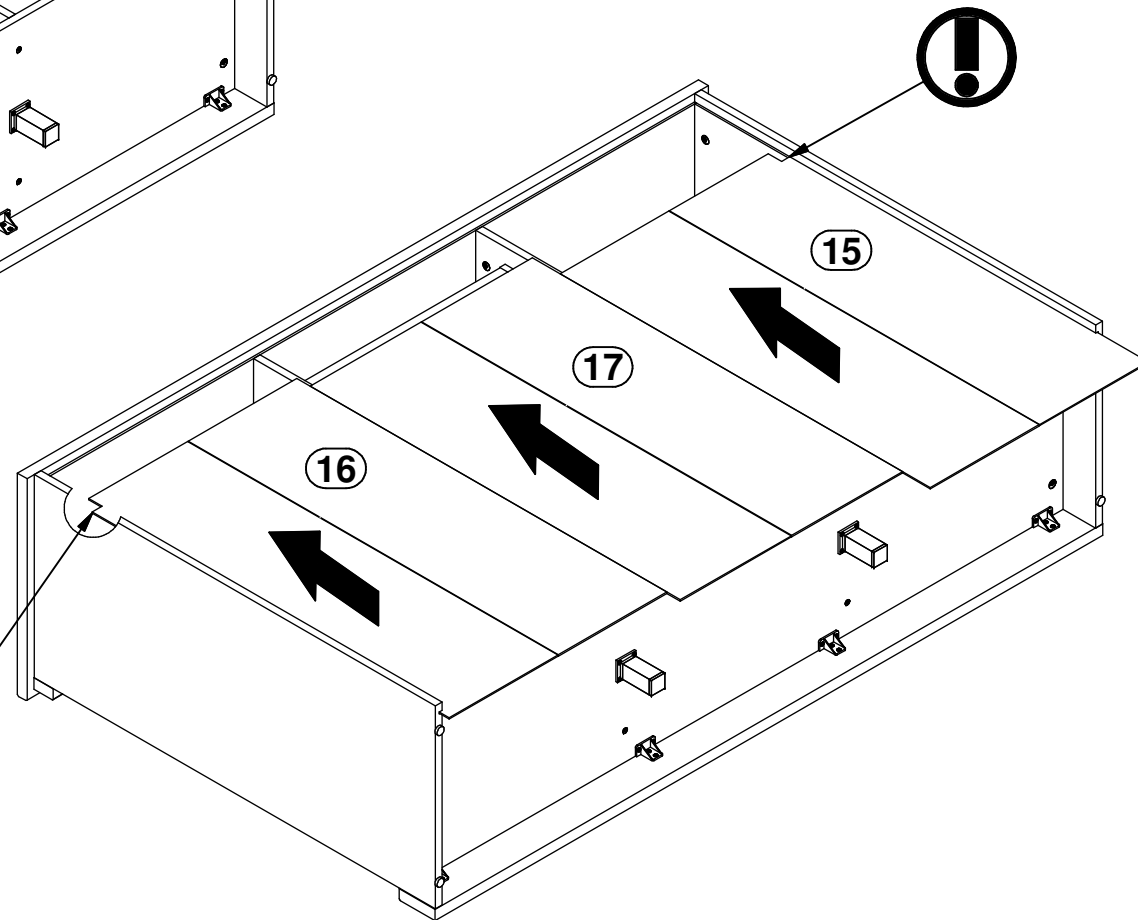
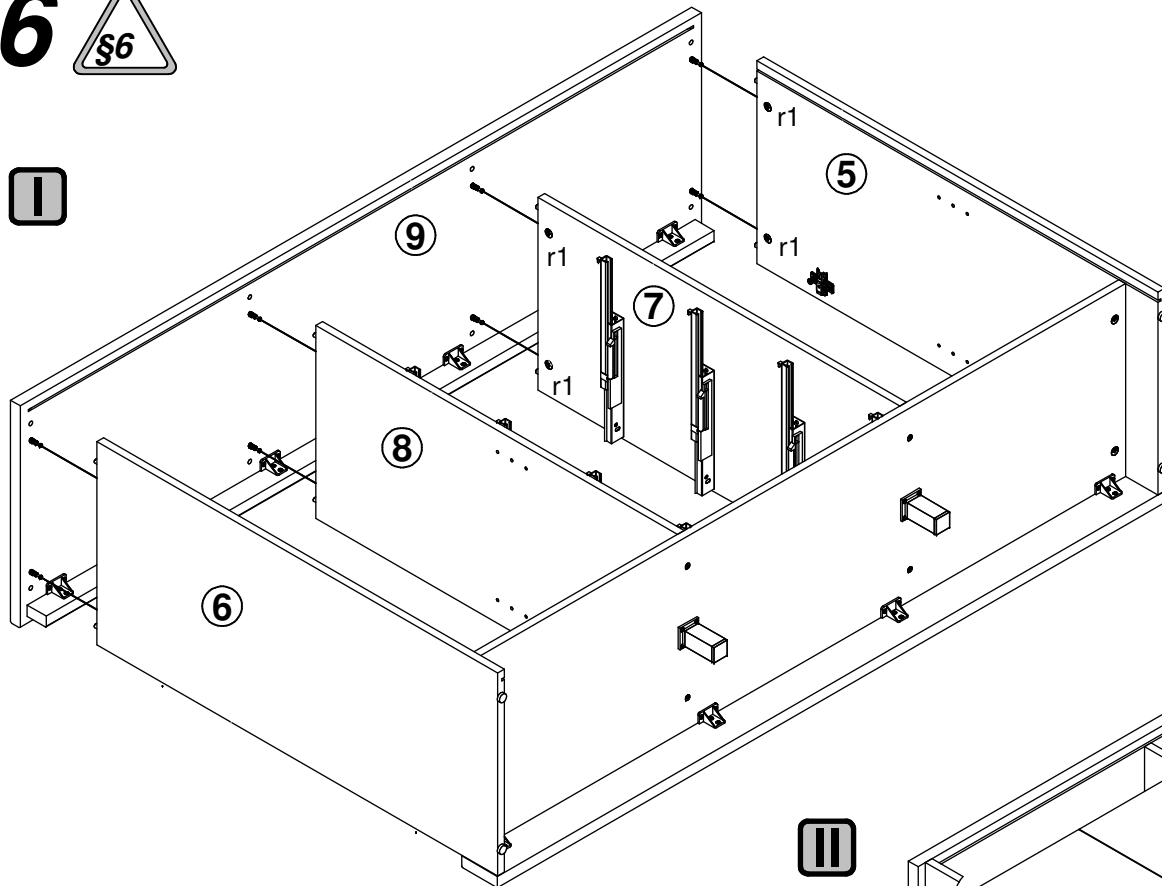
I



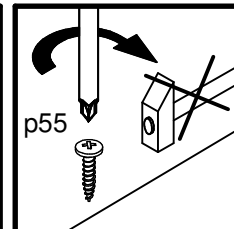
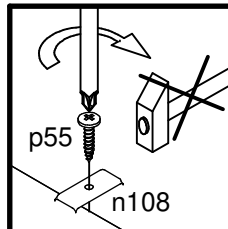
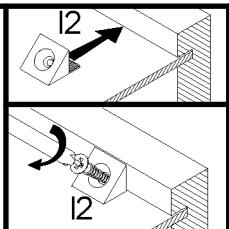
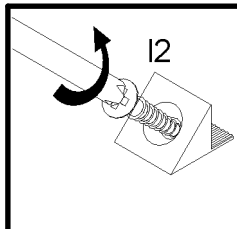
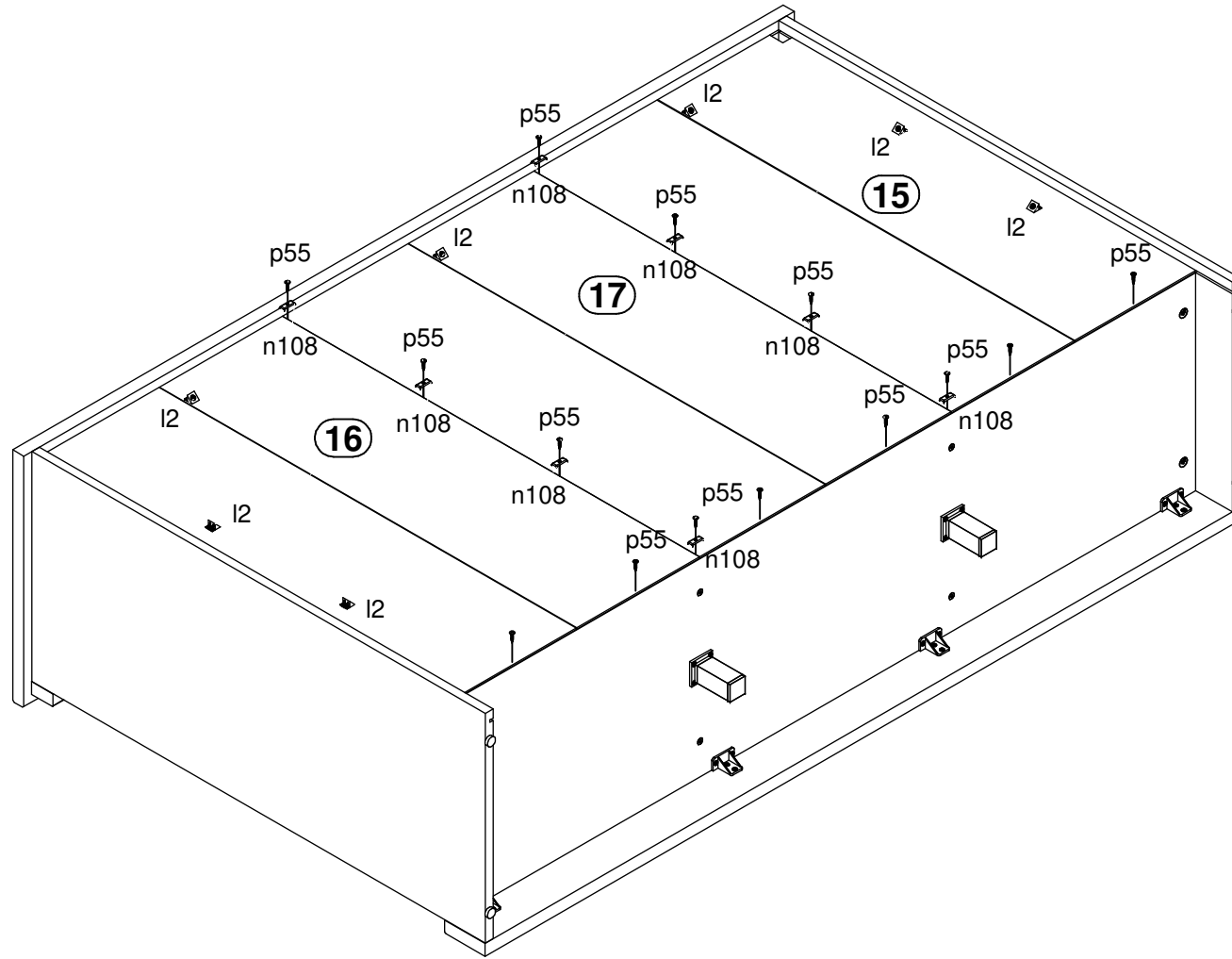
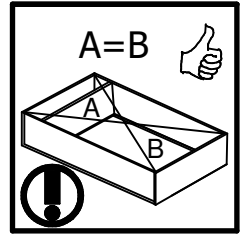
III

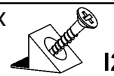

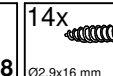


6 

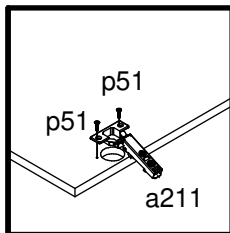
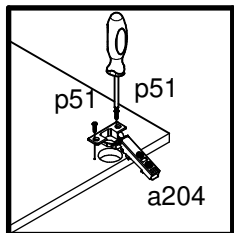
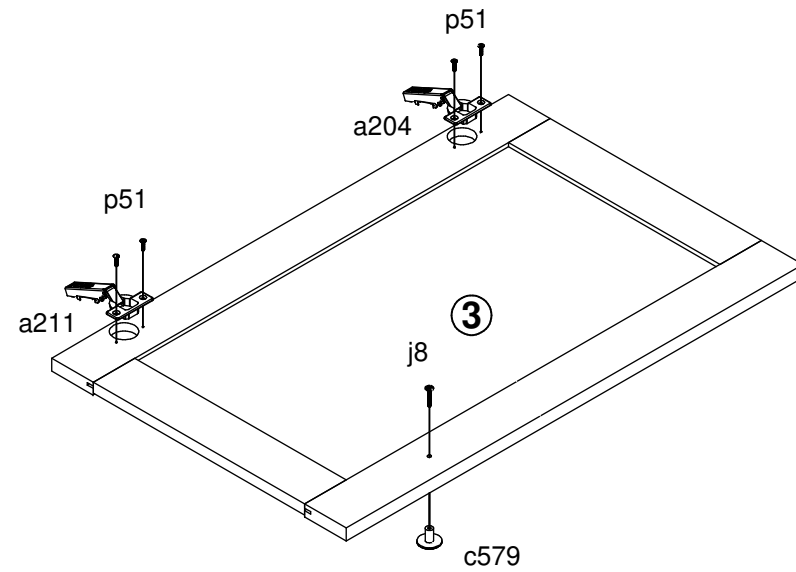
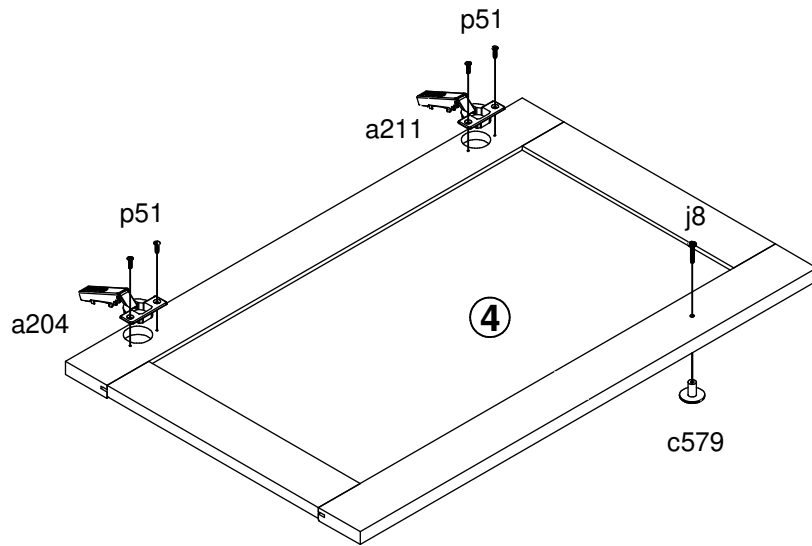


7 



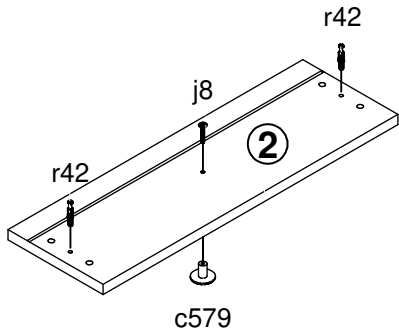
- 7x  **l2**
- 8x  **n108**
22x9,5x20,7 mm
- 14x  **p55**
Q2,9x16 mm

8 

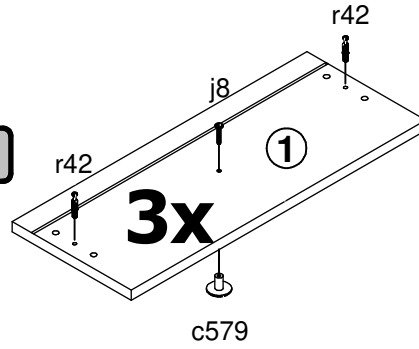






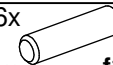

9  

I

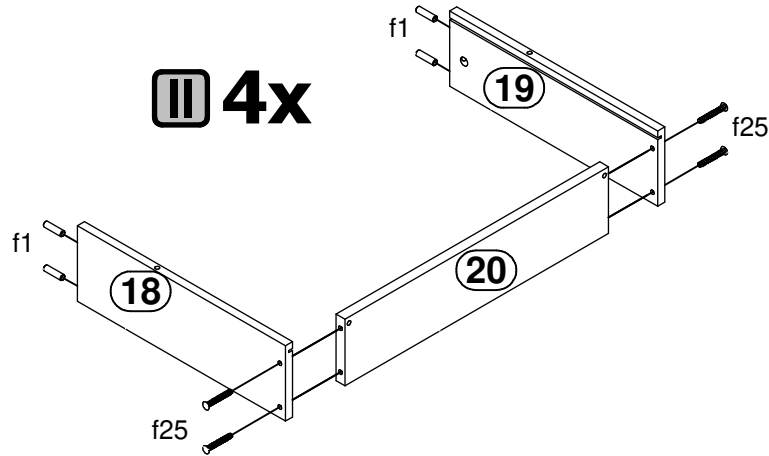


I

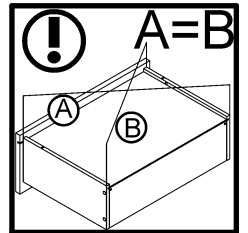
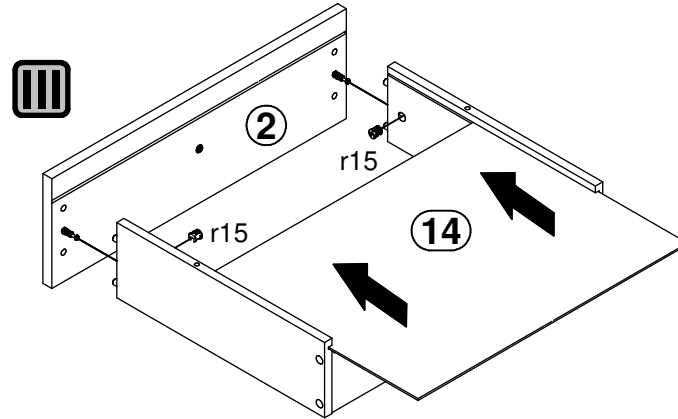


4x  c579	8x  r42
4x  j8 M4x25 mm	16x  f25 Ø6.5x40 mm
16x  f1 Ø8x30 mm	8x  r15 Ø12x10.5 mm #12

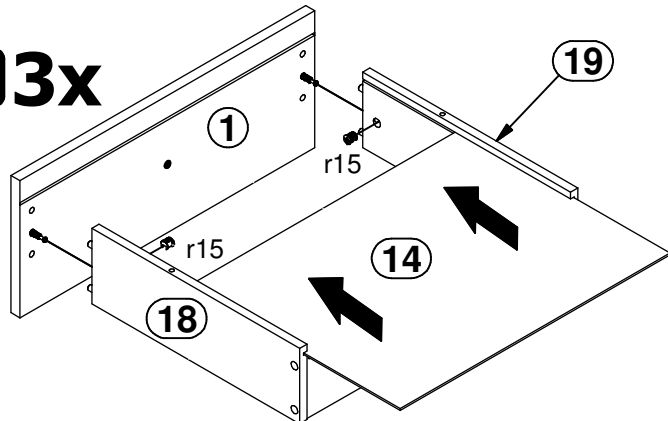
III 4x



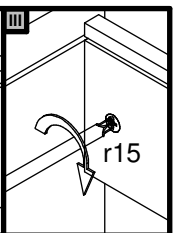
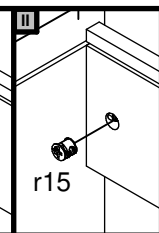
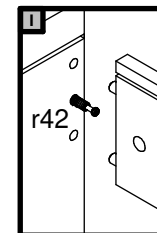
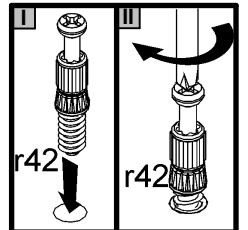
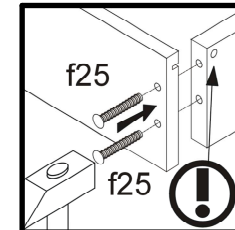
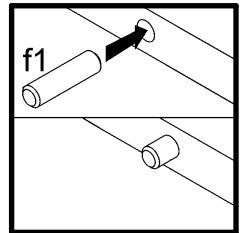
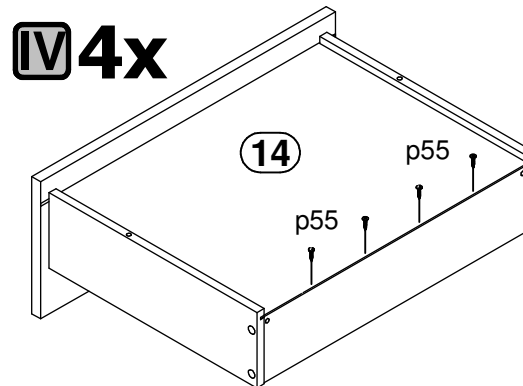
III



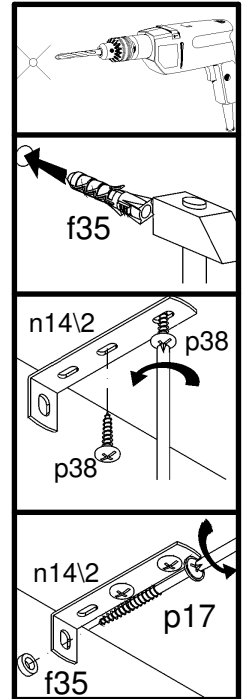
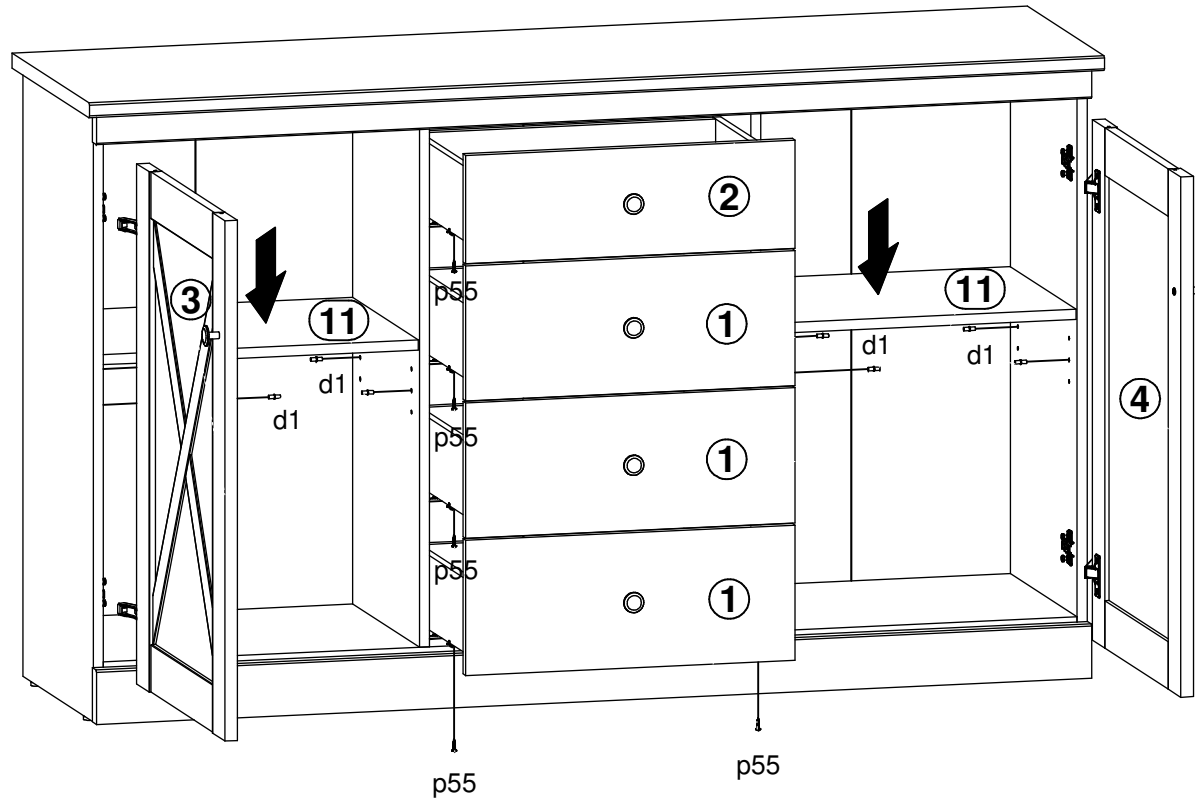
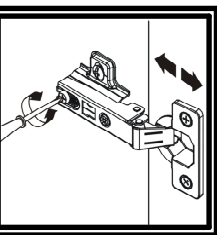
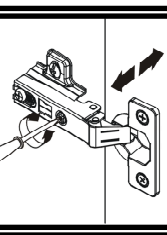
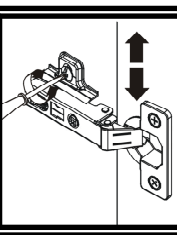
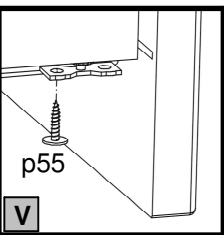
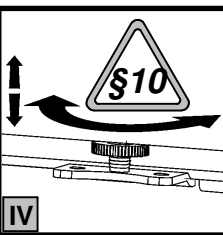
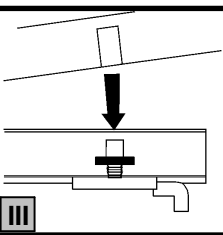
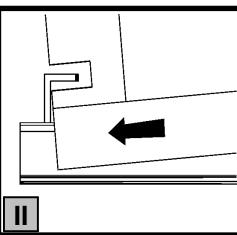
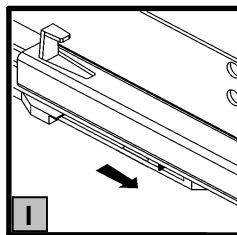
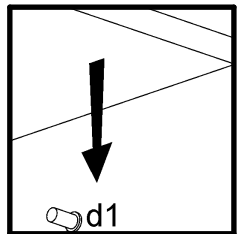
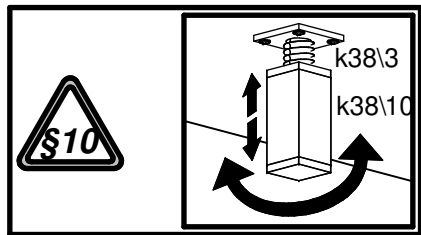
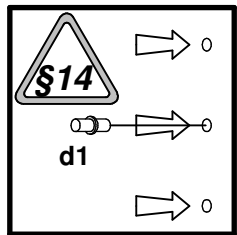
III 3x




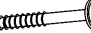




IV 4x



10 



- 8x  d1
Ø5x17 mm
- 2x  n14\2
35x21x15\1.5
- 2x  f35
Ø10x50 mm
- 2x  p17
Ø5x60 mm
- 4x  p38
Ø3.5x16 mm
- 8x  p55
Ø2.9x16 mm

11

