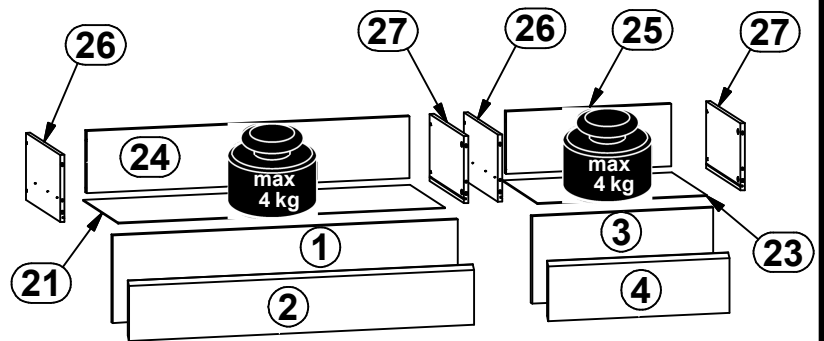
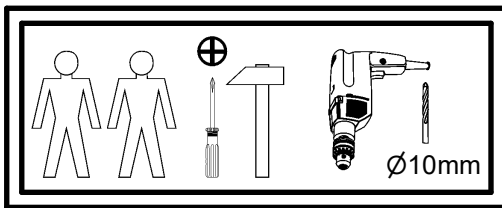
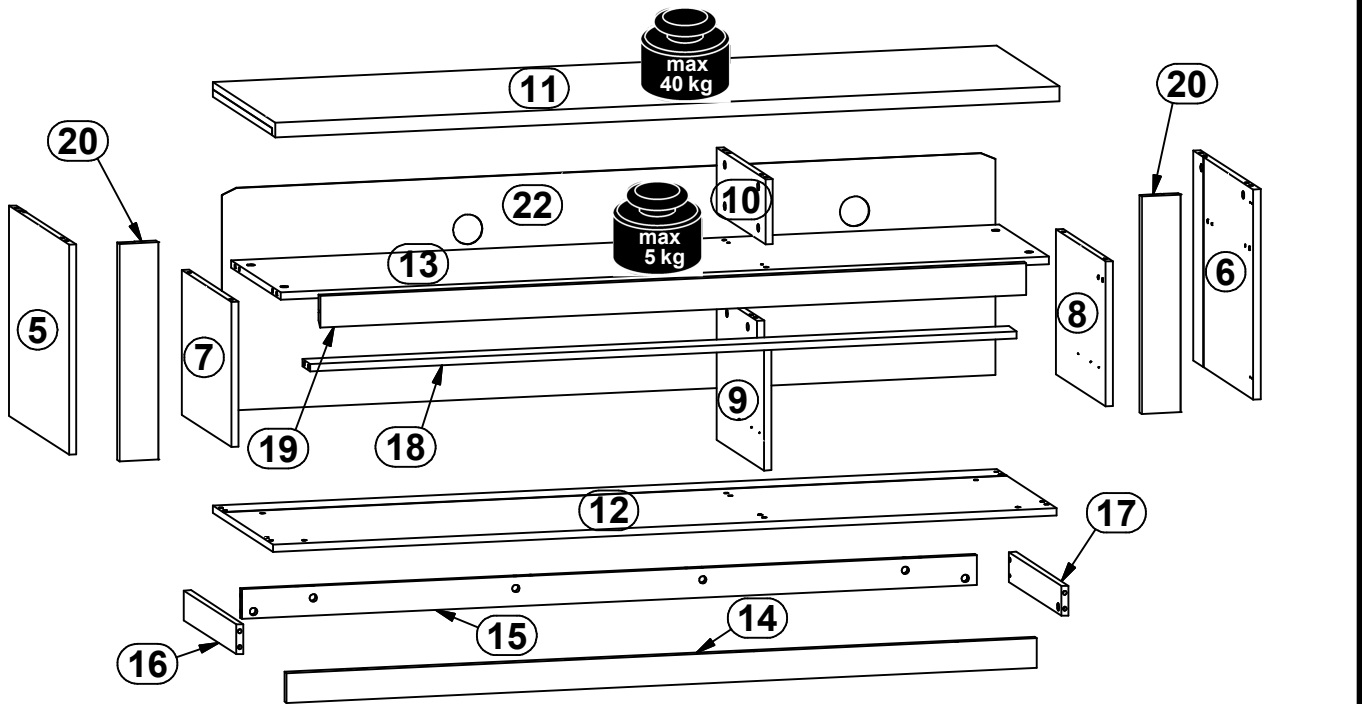
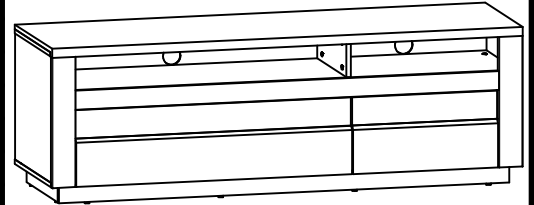
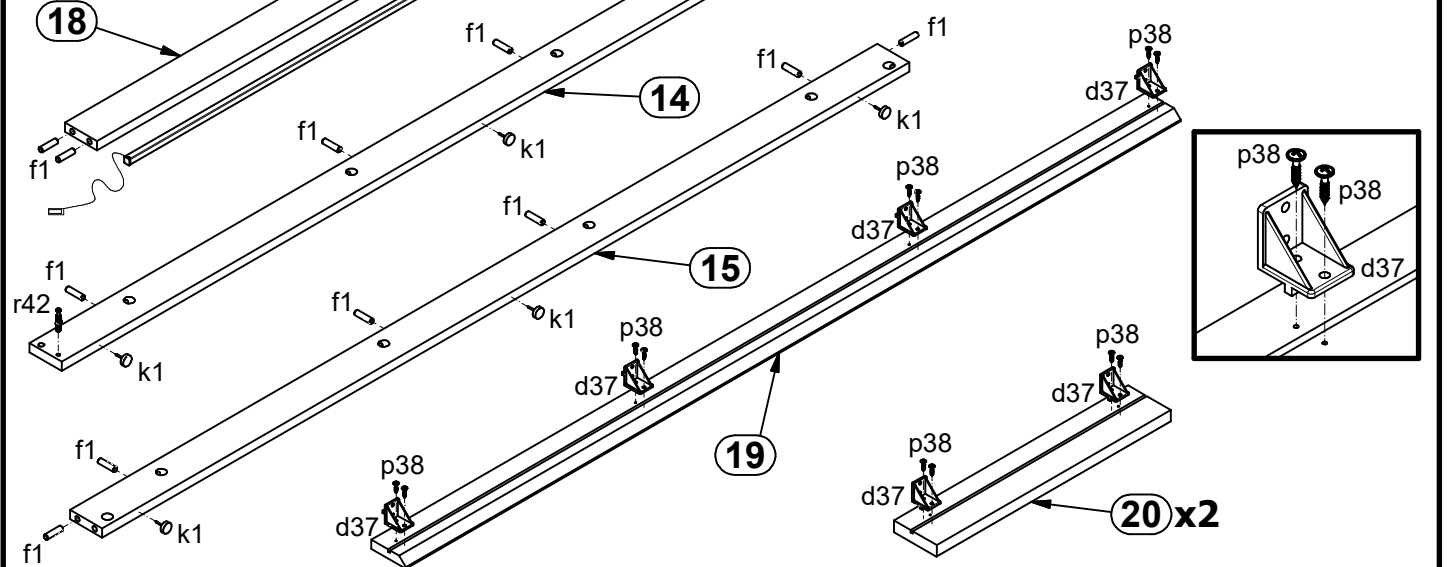
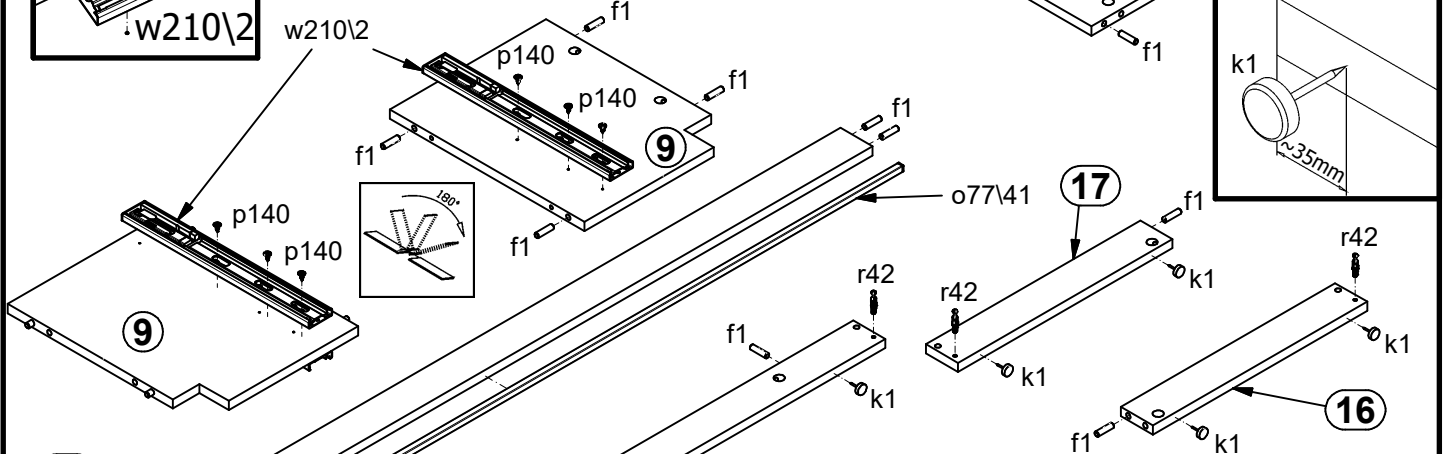
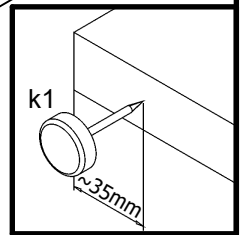
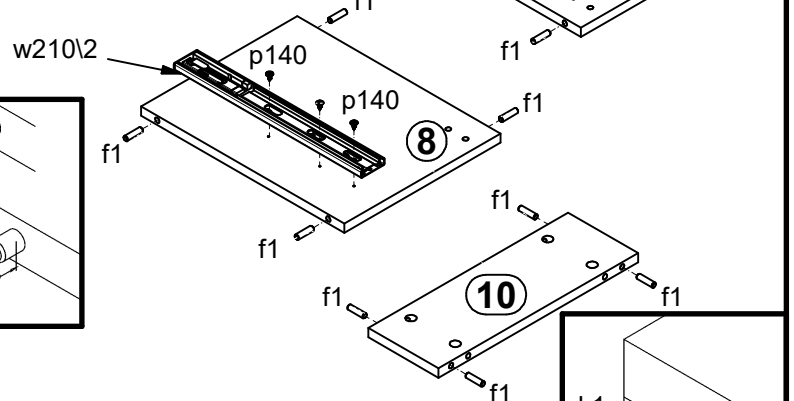
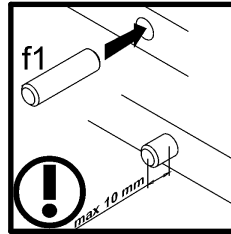
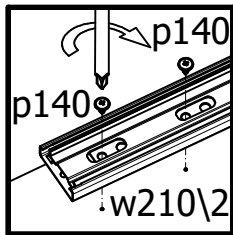
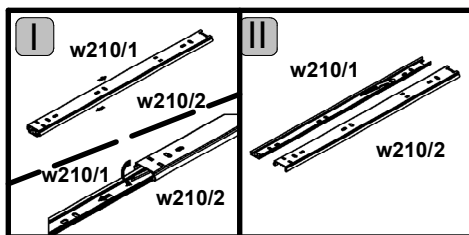
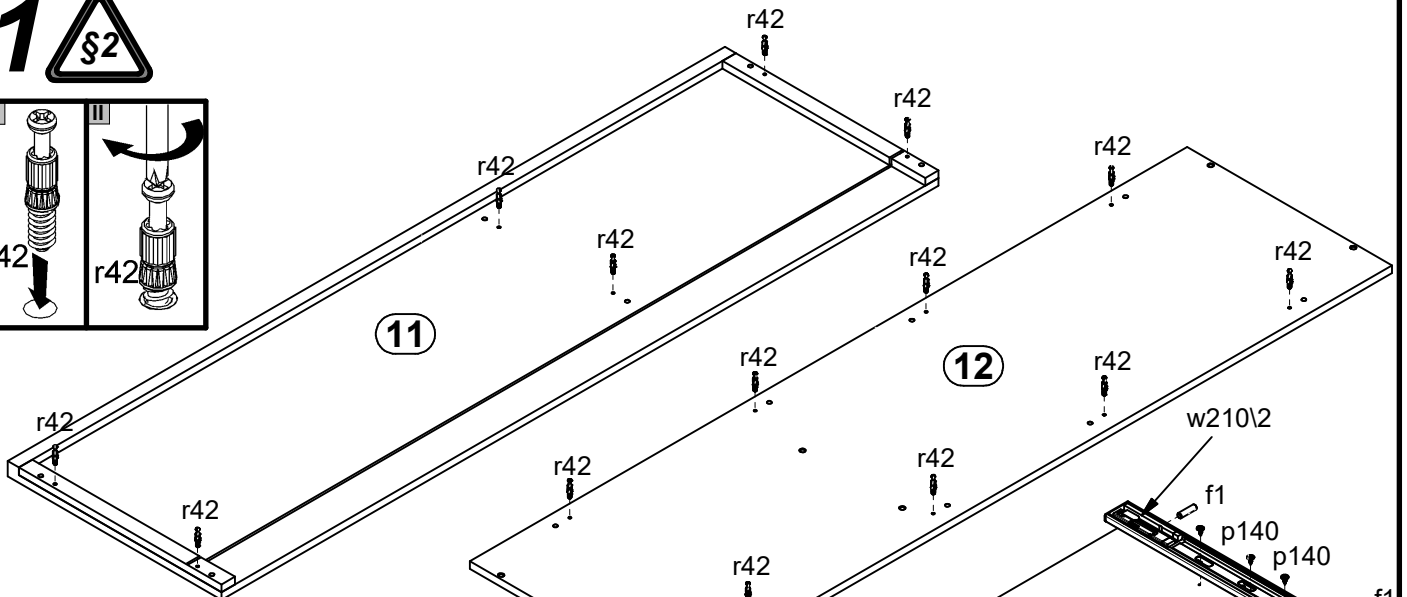
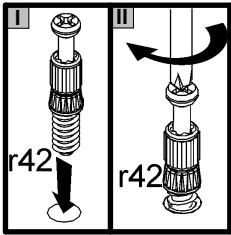


A	B	C	D	A	B	C	D		
1	S467-0010	945	235	1/2	15	S467-4010	1510	60	2/2
2	S467-0011	945	160	1/2	16	S467-4032	401	60	2/2
3	S467-0026	496	235	1/2	17	S467-4033	401	60	2/2
4	S467-0028	496	160	1/2	18	S467-4034	1451	60	2/2
5	S467-1022	423	460	1/2	19	S467-4035	1450	64	2/2
6	S467-1023	423	460	1/2	20	S467-5018	438	80	1/2
7	S467-1024	292	380	1/2	21	S467-9005	895	357	1/2
8	S467-1025	292	380	1/2	22	S467-9010	448	1589	2/2
9	S467-1026	292	364	1/2	23	S467-9011	463	357	1/2
10	S467-1027	131	374	1/2	24	ZK3-5103	884	167	1/2
11	S467-2009	1610	480	2/2	25	ZK3-5107	452	167	1/2
12	S467-2010	1610	460	2/2	26	ZK4-503	350	180	1/2
13	S467-3005	1578	380	2/2	27	ZK4-504	350	180	1/2
14	S467-4009	1541	60	2/2					

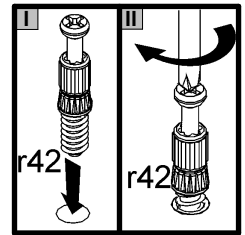
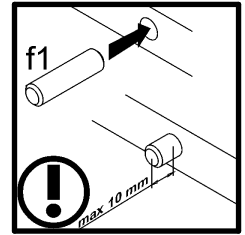
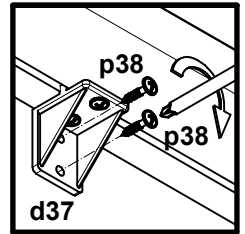
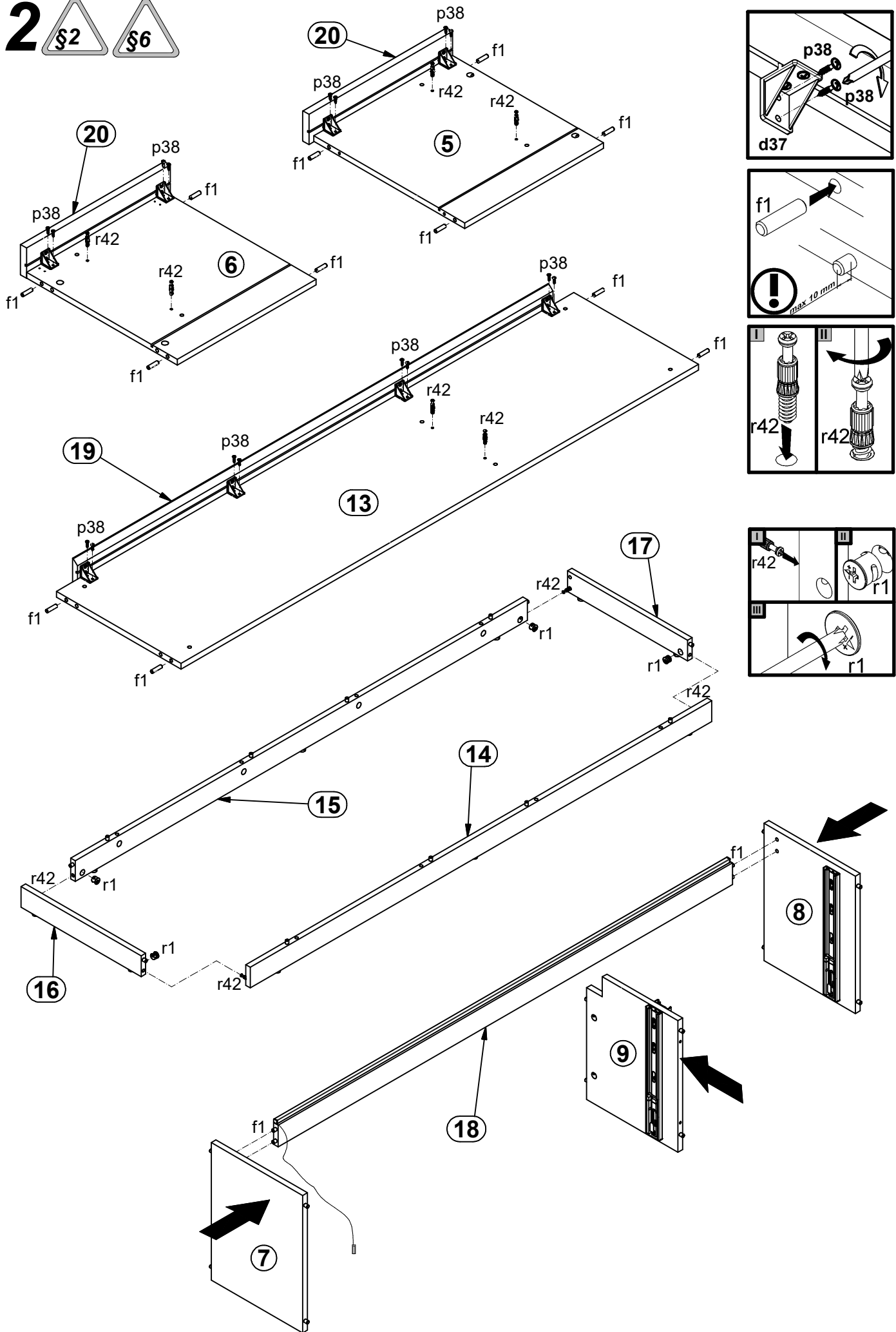


8x d37	6x e1 Ø7x50 mm	44x f1 Ø8x30 mm	4x f9 Ø6x30 mm	8x f25 Ø6.5x40 mm	10x k1	10x l2	1x p25 Ø3.5x16 mm	1x p35 Ø3.5x10 mm
41x p38 Ø3.5x16 mm	8x p55 Ø2.9x16 mm	12x p94 Ø4x28 mm	24x p140 Ø3.5x12 mm	26x r1 Ø15x12 mm #16	8x r15 Ø12x10.5 mm #12	34x r42 20/11	1x t35 350 mm	4x w210\1 L=350 mm
4x w210\2 L=350 mm	8x s68 Ø 20mm	1x z1 4 mm	1x o77\41 10x10 mm L=1445 mm	2x o83\4 10x18 mm	1x o70\10 15W			
						1x n26	1x p38 Ø3.5x16 mm	

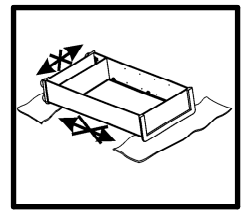
1  §2



2  



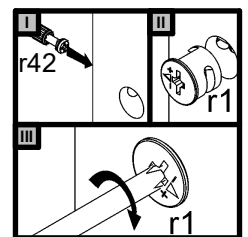
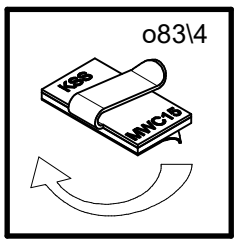
3 



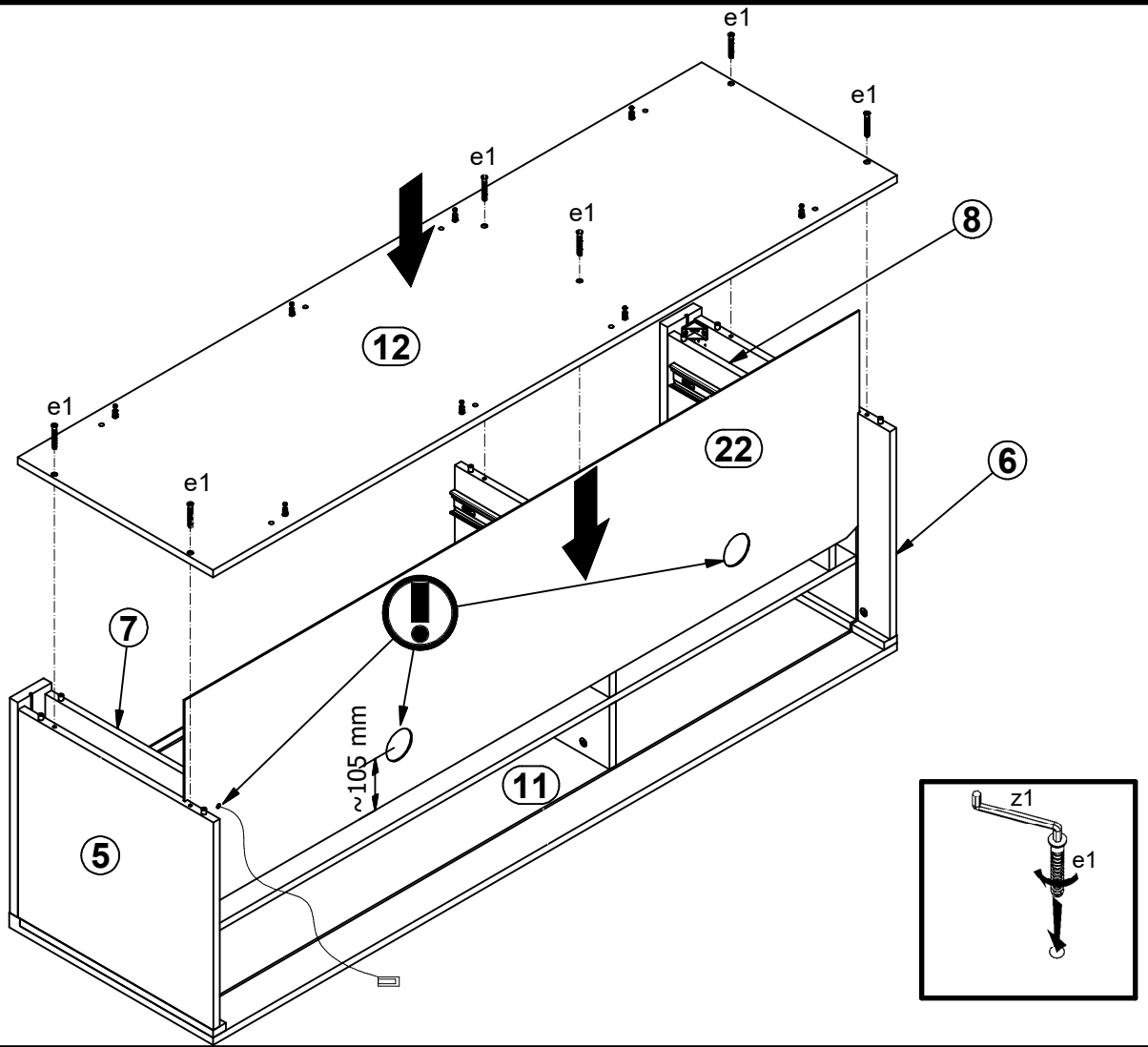
I

II

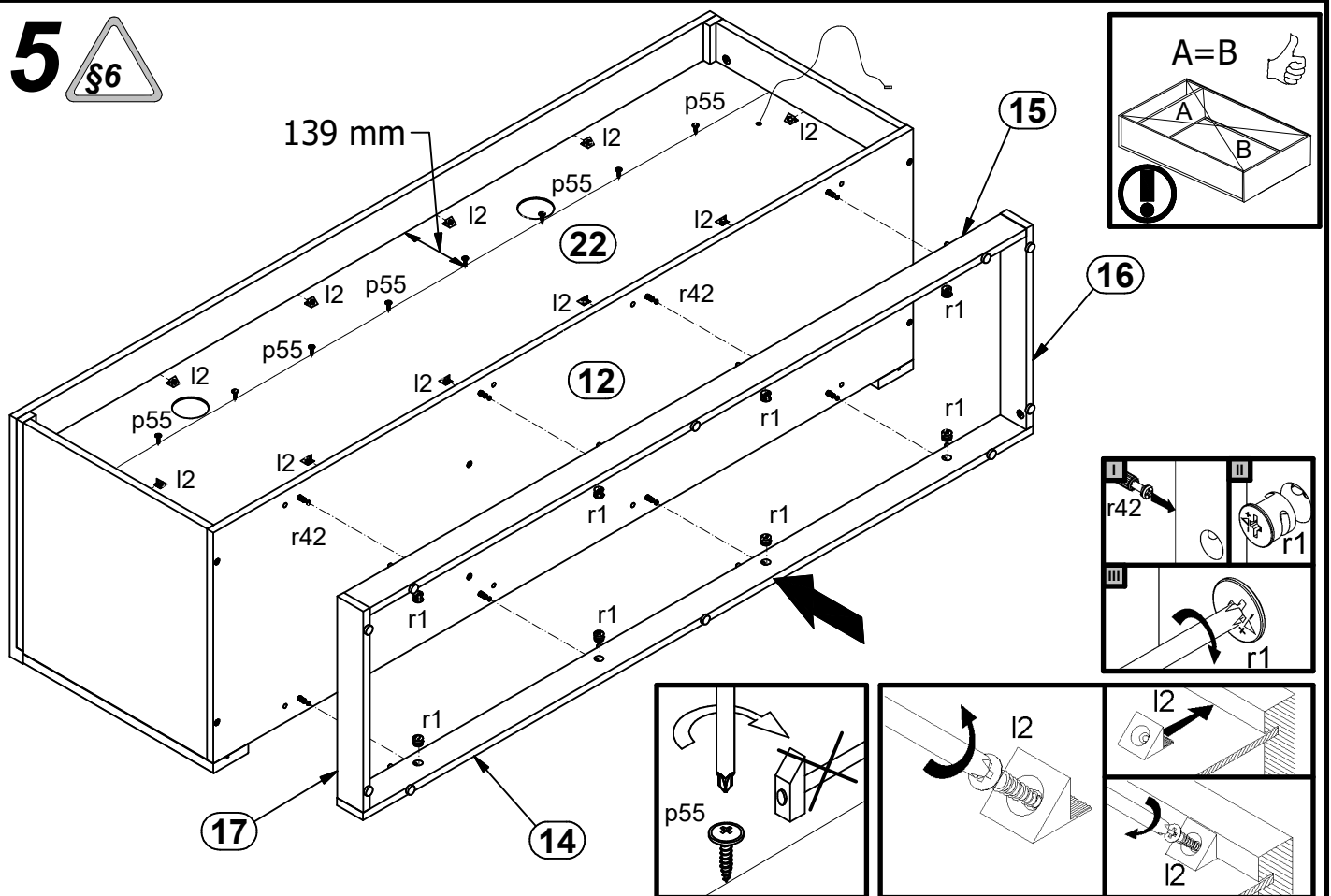
III



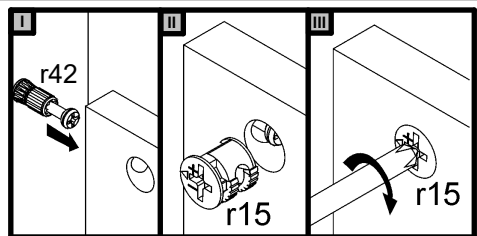
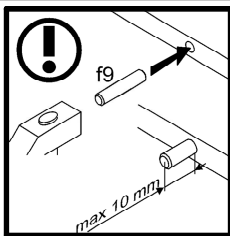
4



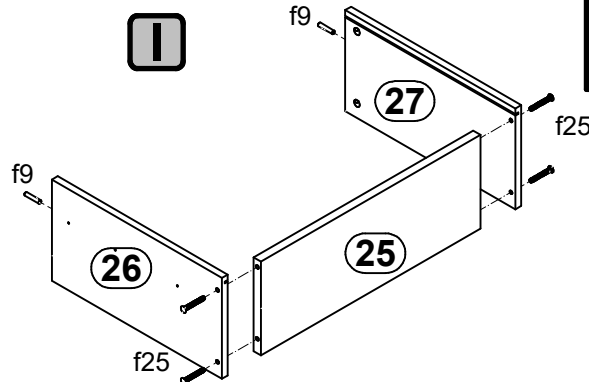
5



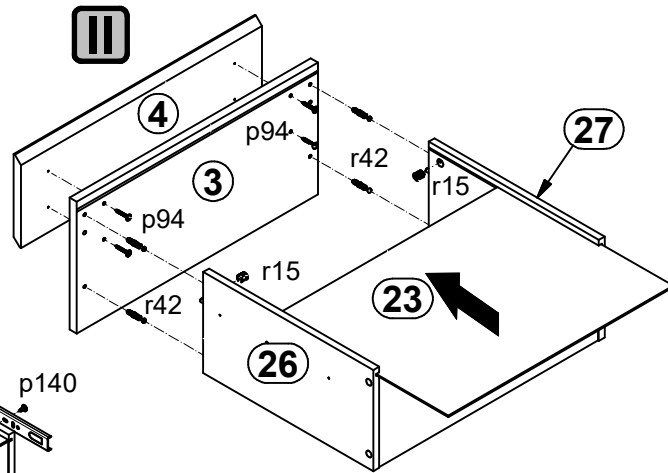
6



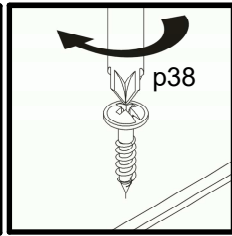
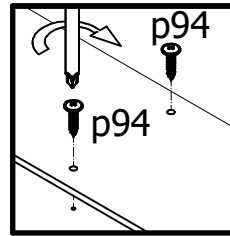
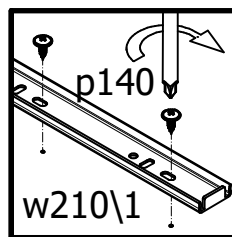
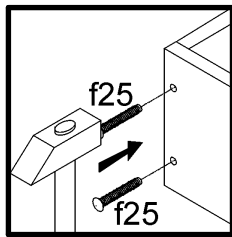
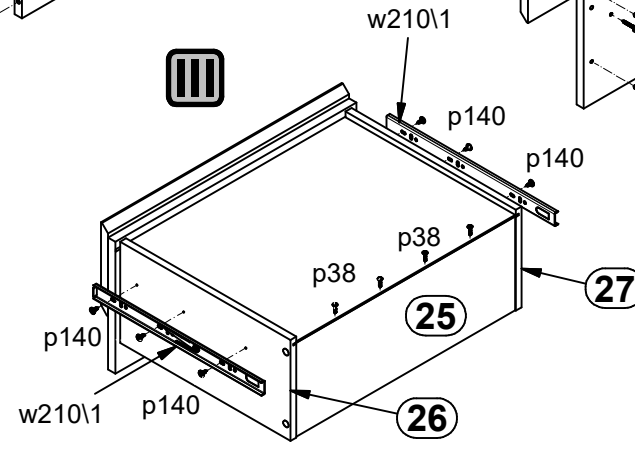
I



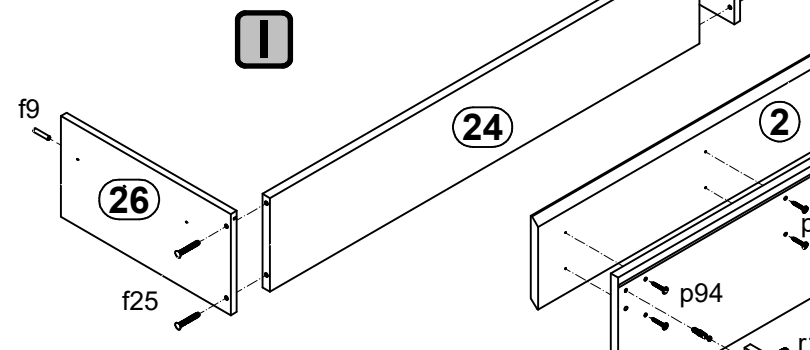
II



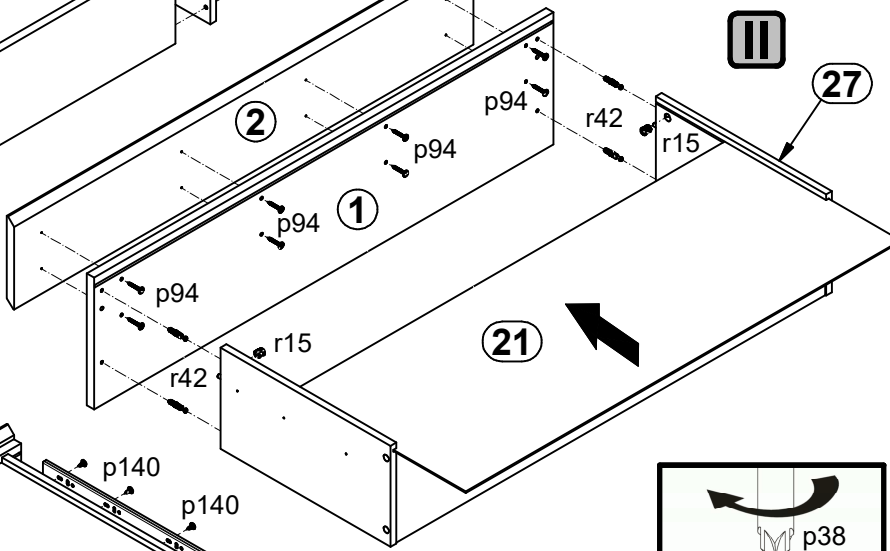
III



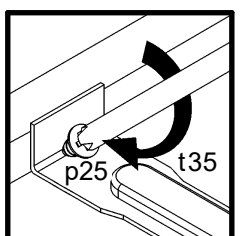
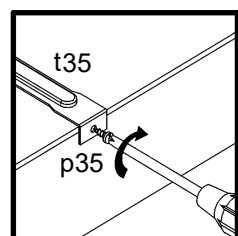
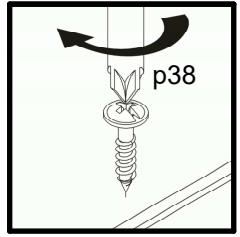
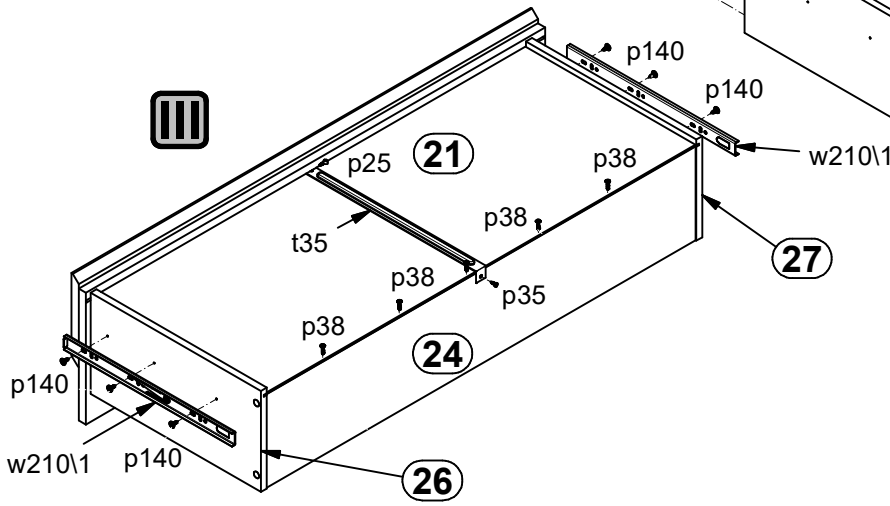
I



II



III



7 §6

