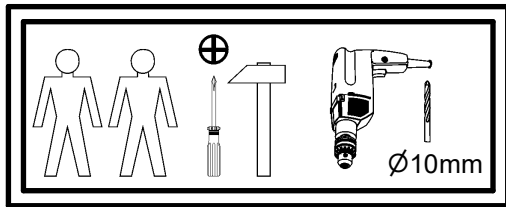
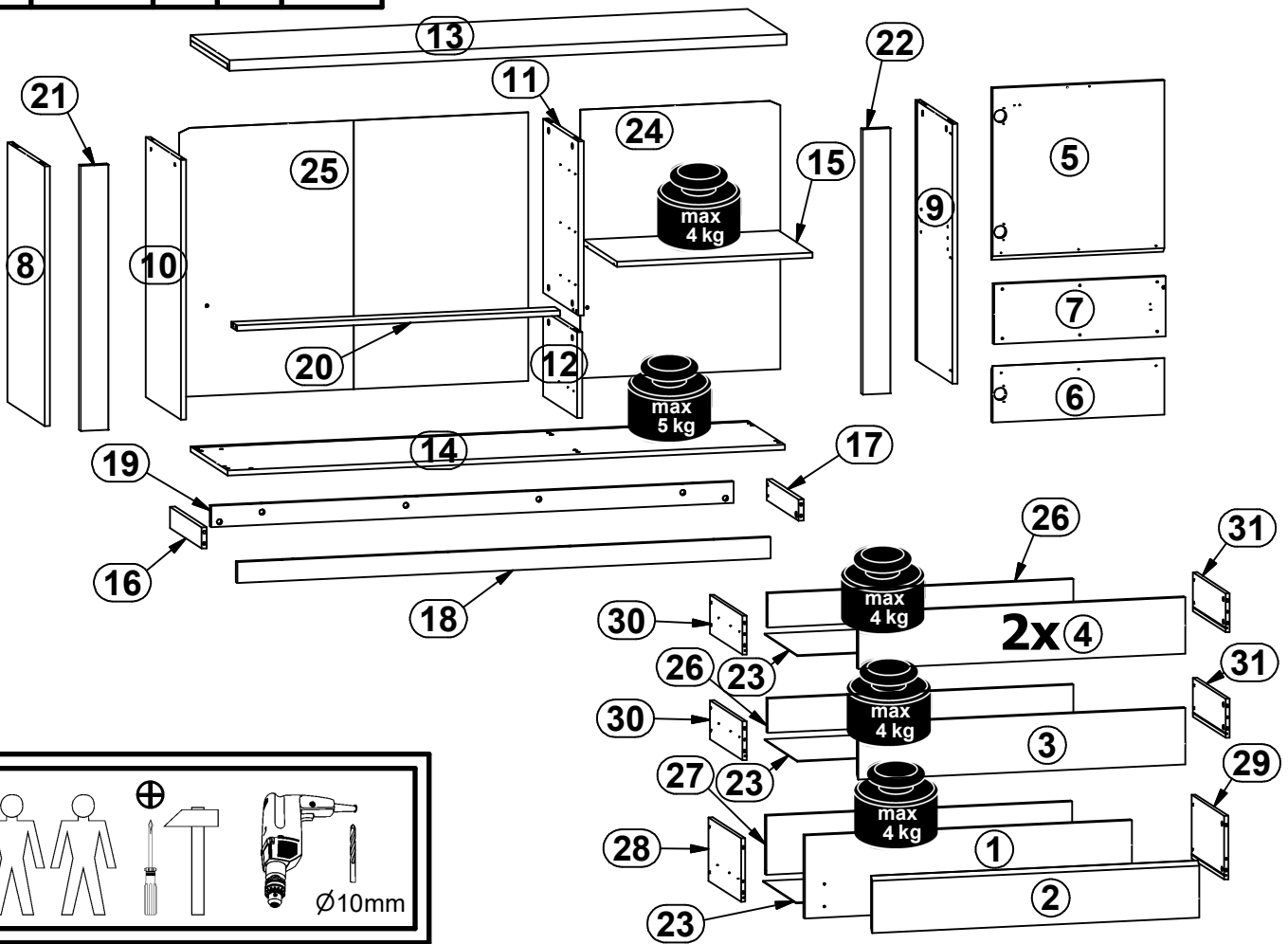
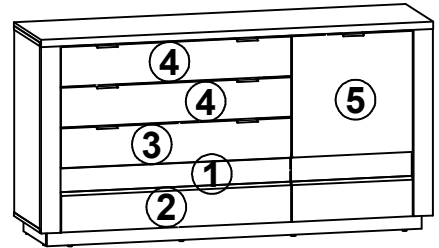
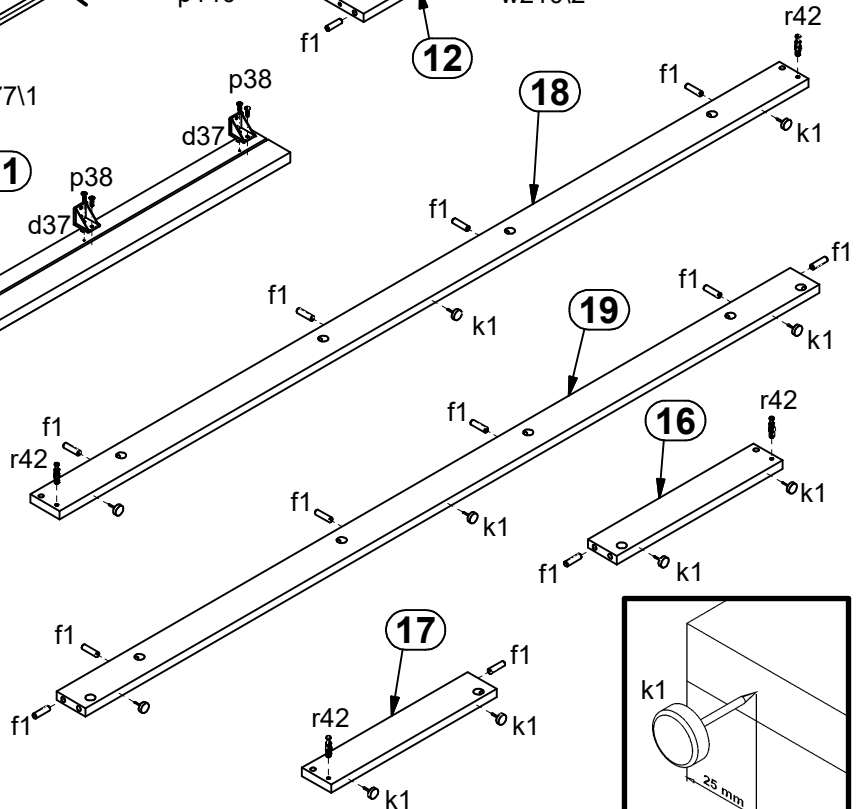
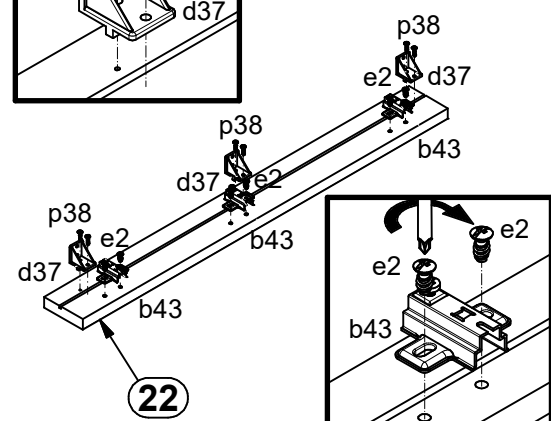
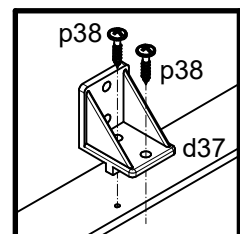
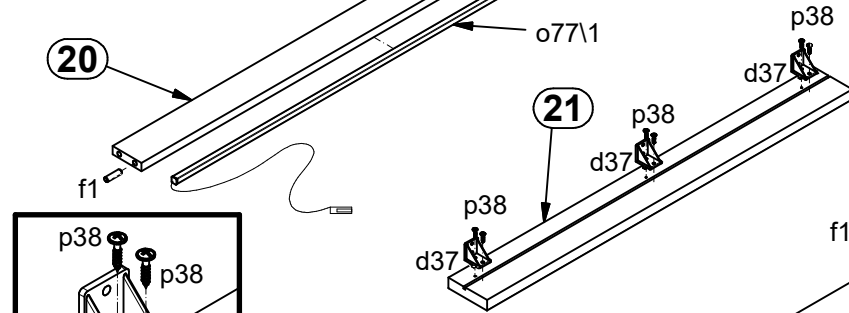
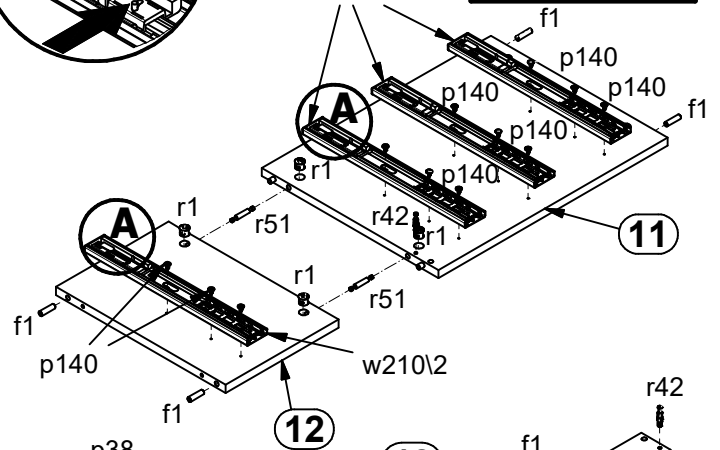
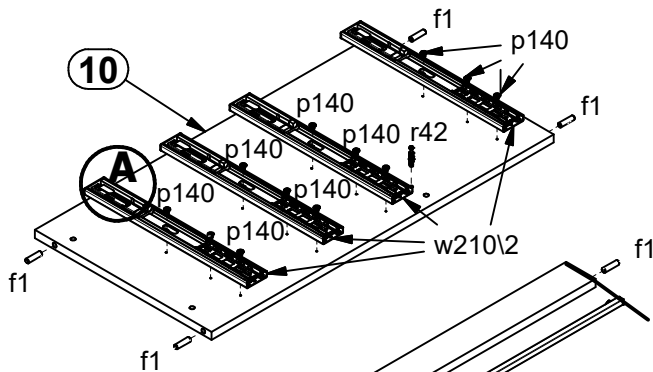
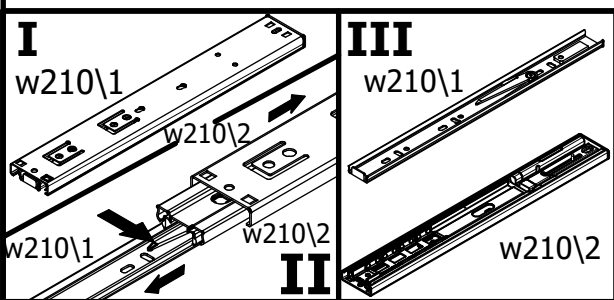
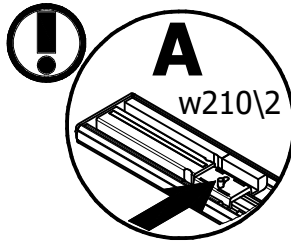
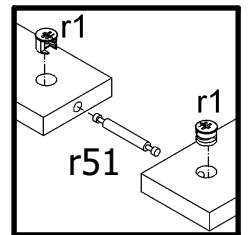
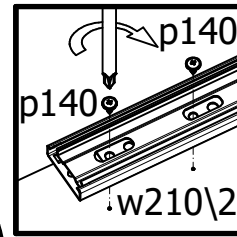
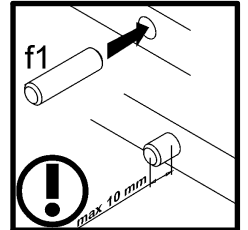
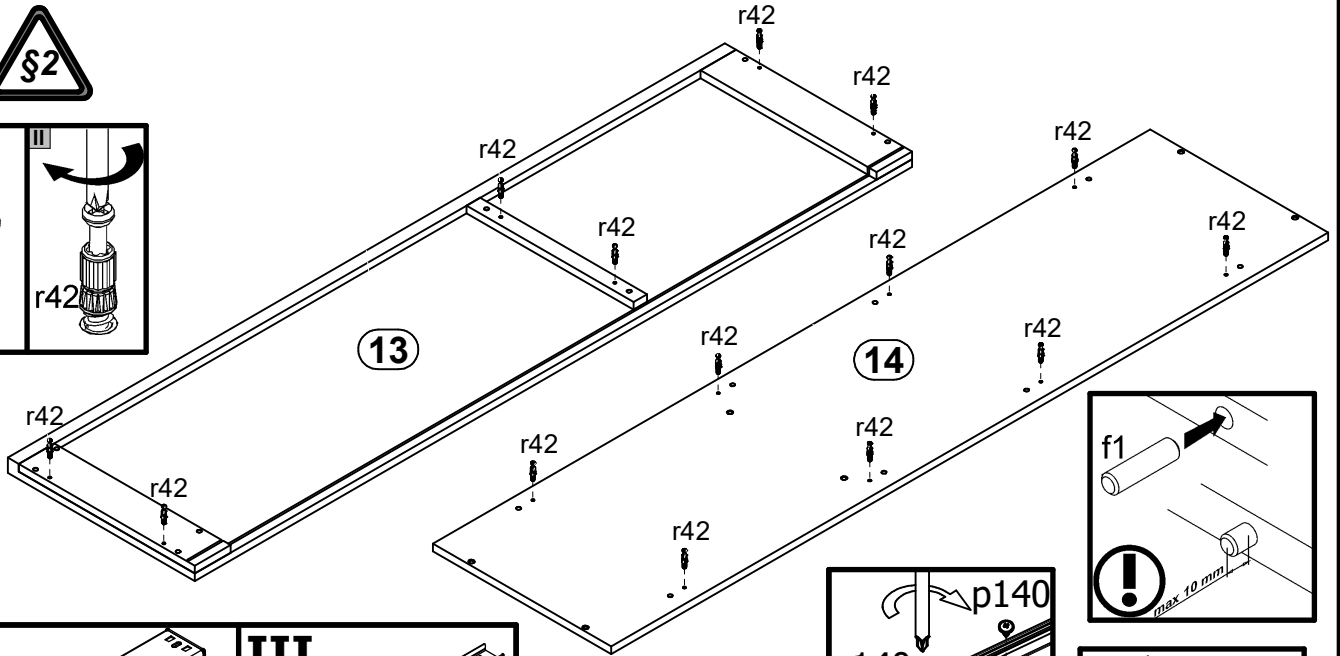
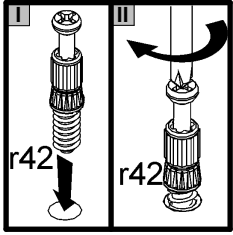


A	B	C	D	A	B	C	D		
1	S467-0010	945	235	3/3	17	S467-4002	341	60	3/3
2	S467-0011	945	160	3/3	18	S467-4009	1541	60	2/3
3	S467-0012	945	160	3/3	19	S467-4010	1510	60	2/3
4	S467-0013	945	160	3/3	20	S467-4011	934	60	3/3
5	S467-0017	496	488	3/3	21	S467-5005	751	80	3/3
6	S467-0018	496	160	3/3	22	S467-5006	751	80	3/3
7	S467-0019	496	170	3/3	23	S467-9005	895	357	3/3
8	S467-1010	736	400	1/3	24	S467-9007	761	578	3/3
9	S467-1011	736	400	1/3	25	S467-9302	761	1009	3/3
10	S467-1012	736	380	1/3	26	ZK3-5100	884	97	3/3
11	S467-1013	493	380	1/3	27	ZK3-5103	884	167	3/3
12	S467-1016	243	365	1/3	28	ZK4-503	350	180	2/3
13	S467-2005	1610	420	2/3	29	ZK4-504	350	180	2/3
14	S467-2006	1610	400	2/3	30	ZK4-523	350	110	2/3
15	S467-3002	565	365	1/3	31	ZK4-524	350	110	2/3
16	S467-4001	341	60	3/3					

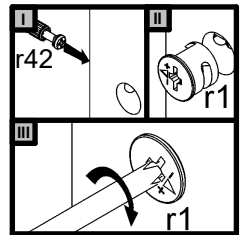
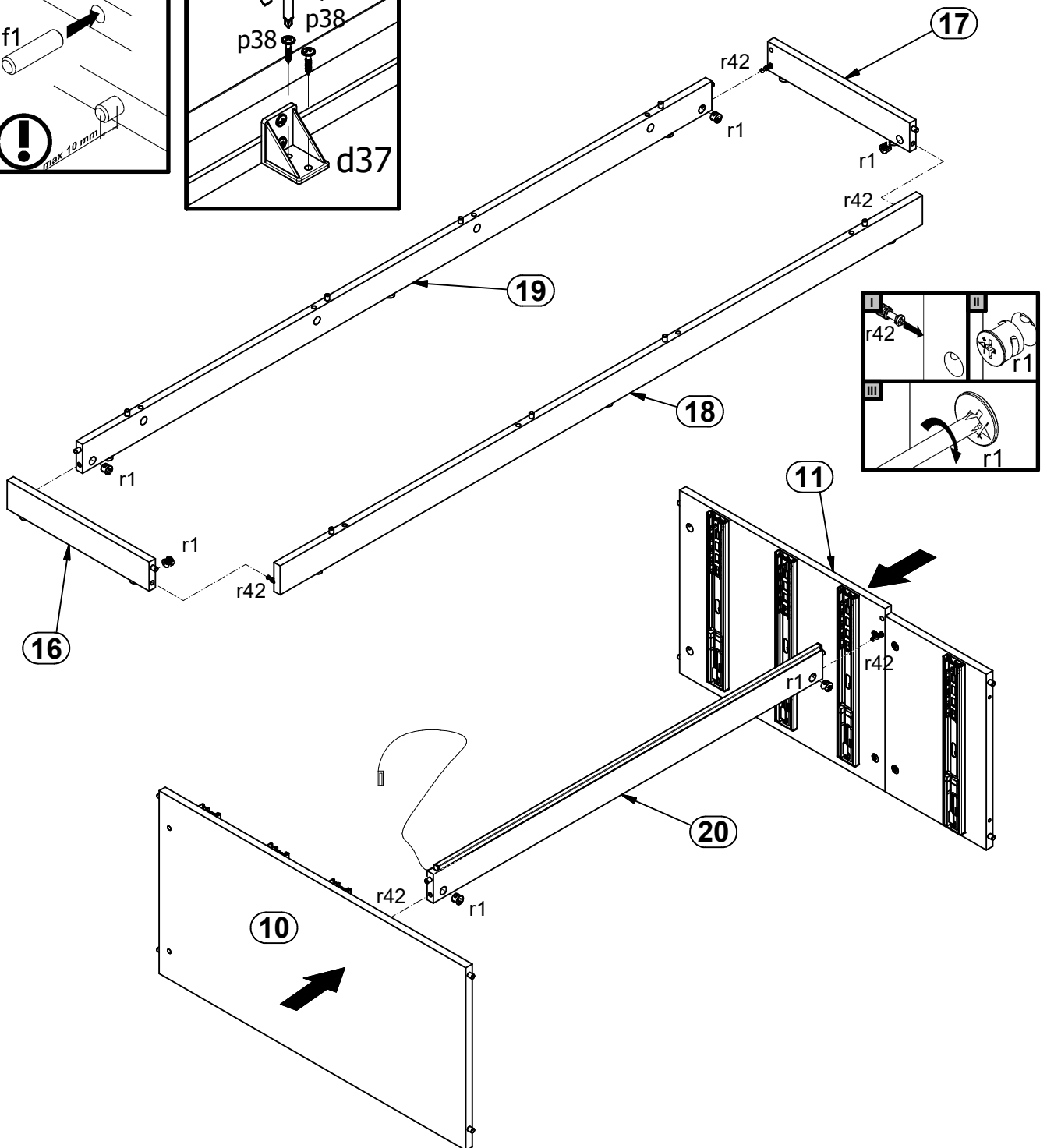
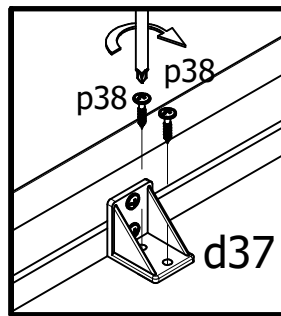
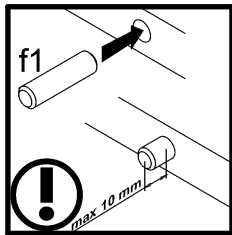
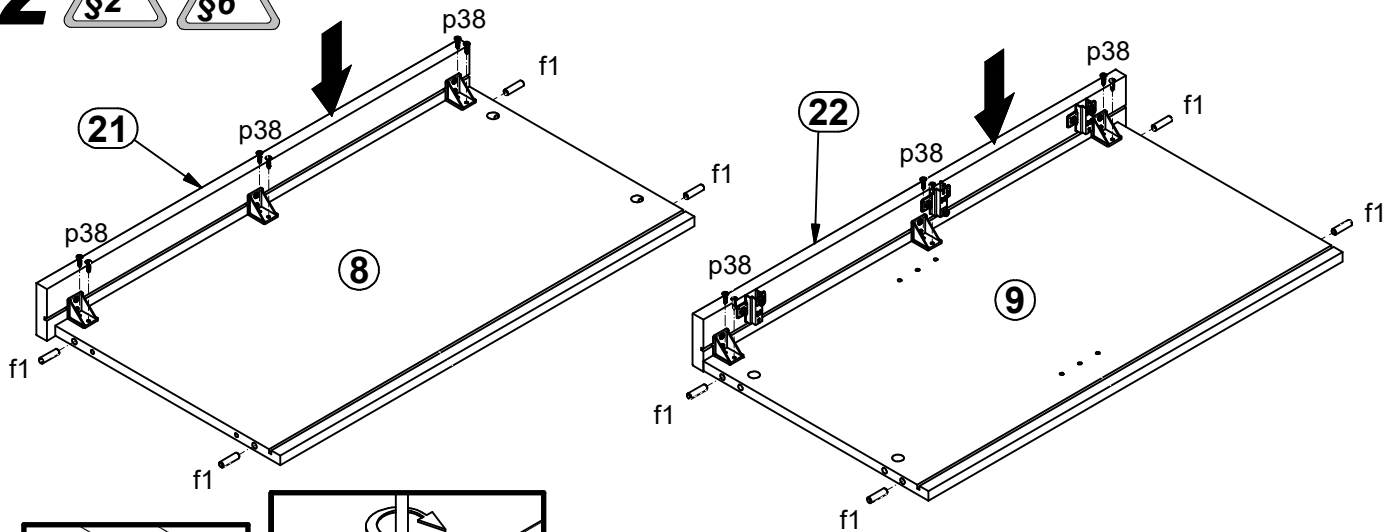


3x a132	3x b43	7x c485	4x d1	6x d37	6x e1
6x e2	32x f1	8x f9	16x f25	10x k1	10x l2
4x p25	4x p35	48x p38	6x p51	4x p55	14x p94
4x p125	2x p200	48x p140	24x p140	24x r1	24x r1
16x r15	36x r42	2x r51	4x t35	8x w210/1	8x w210/2
1x o70/17	5x o83/4	1x o97/1	1x o97/2	1x o134/1	1x n26
6x e2	32x f1	8x f9	16x f25	10x k1	10x l2
4x p25	4x p35	48x p38	6x p51	4x p55	14x p94
4x p125	2x p200	48x p140	24x p140	24x r1	24x r1
16x r15	36x r42	2x r51	4x t35	8x w210/1	8x w210/2
1x o70/17	5x o83/4	1x o97/1	1x o97/2	1x o134/1	1x n26
6x e2	32x f1	8x f9	16x f25	10x k1	10x l2
4x p25	4x p35	48x p38	6x p51	4x p55	14x p94
4x p125	2x p200	48x p140	24x p140	24x r1	24x r1
16x r15	36x r42	2x r51	4x t35	8x w210/1	8x w210/2
1x o70/17	5x o83/4	1x o97/1	1x o97/2	1x o134/1	1x n26

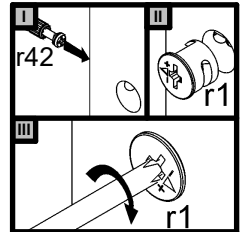
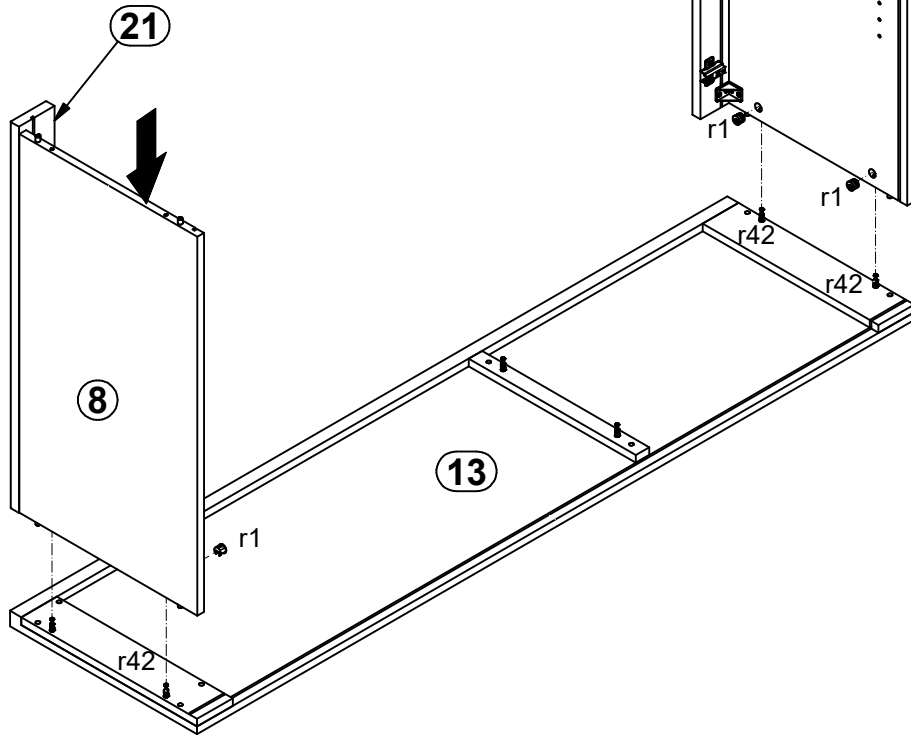
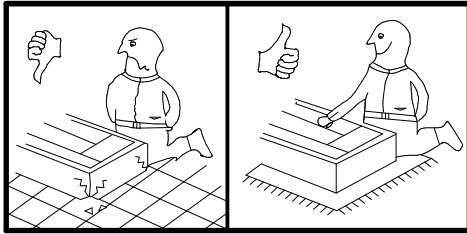
1 



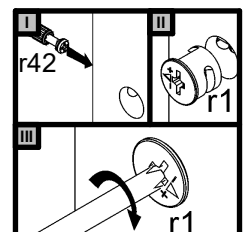
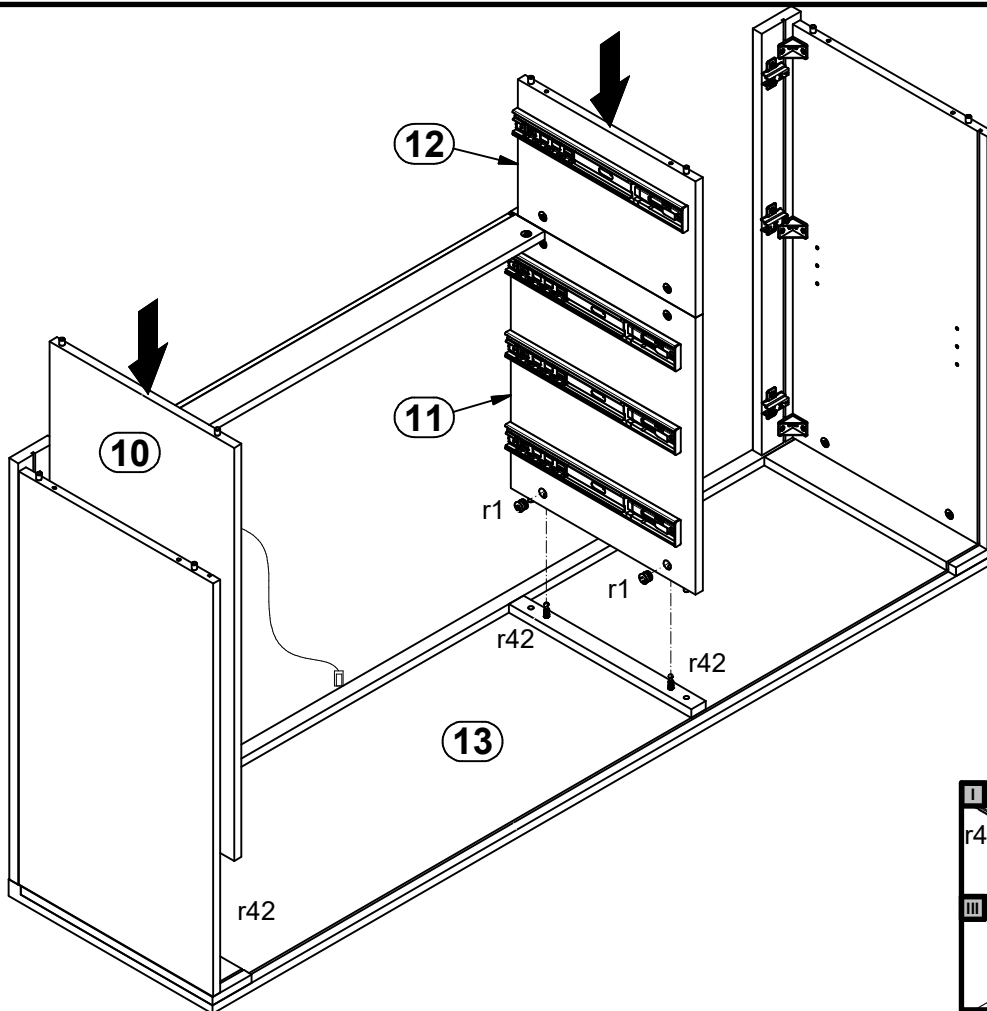
2 §2 §6



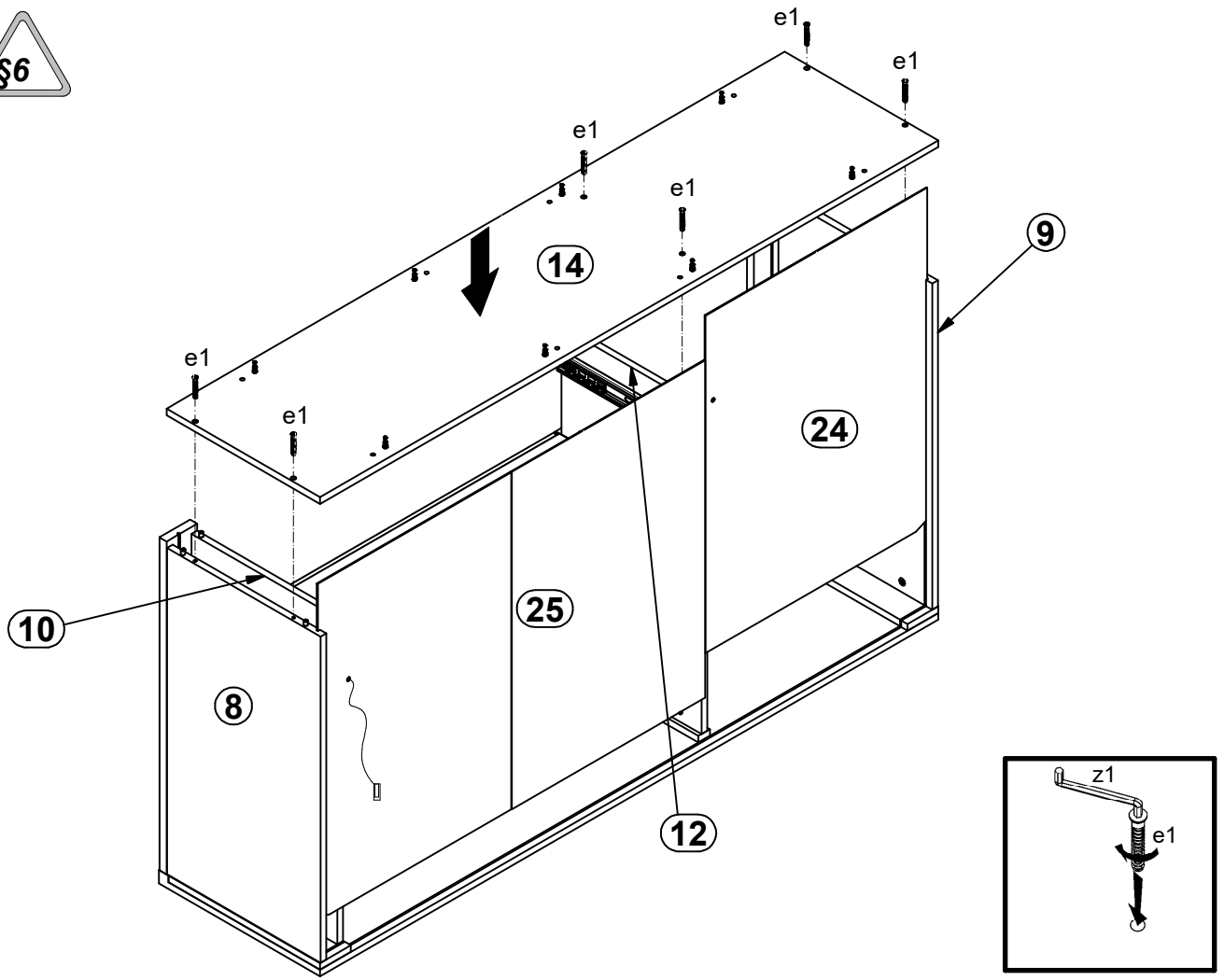
3 §6



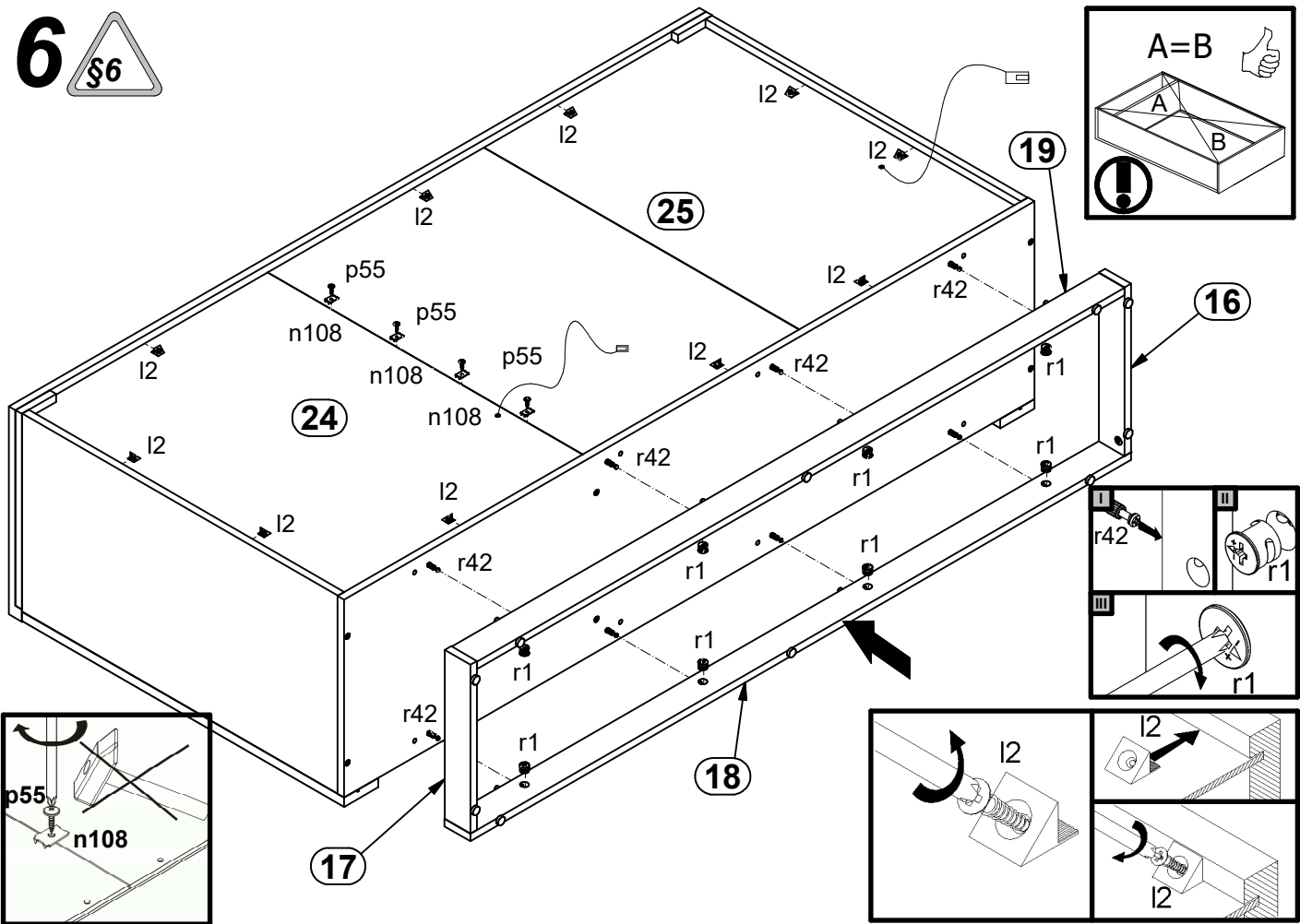
4 §6



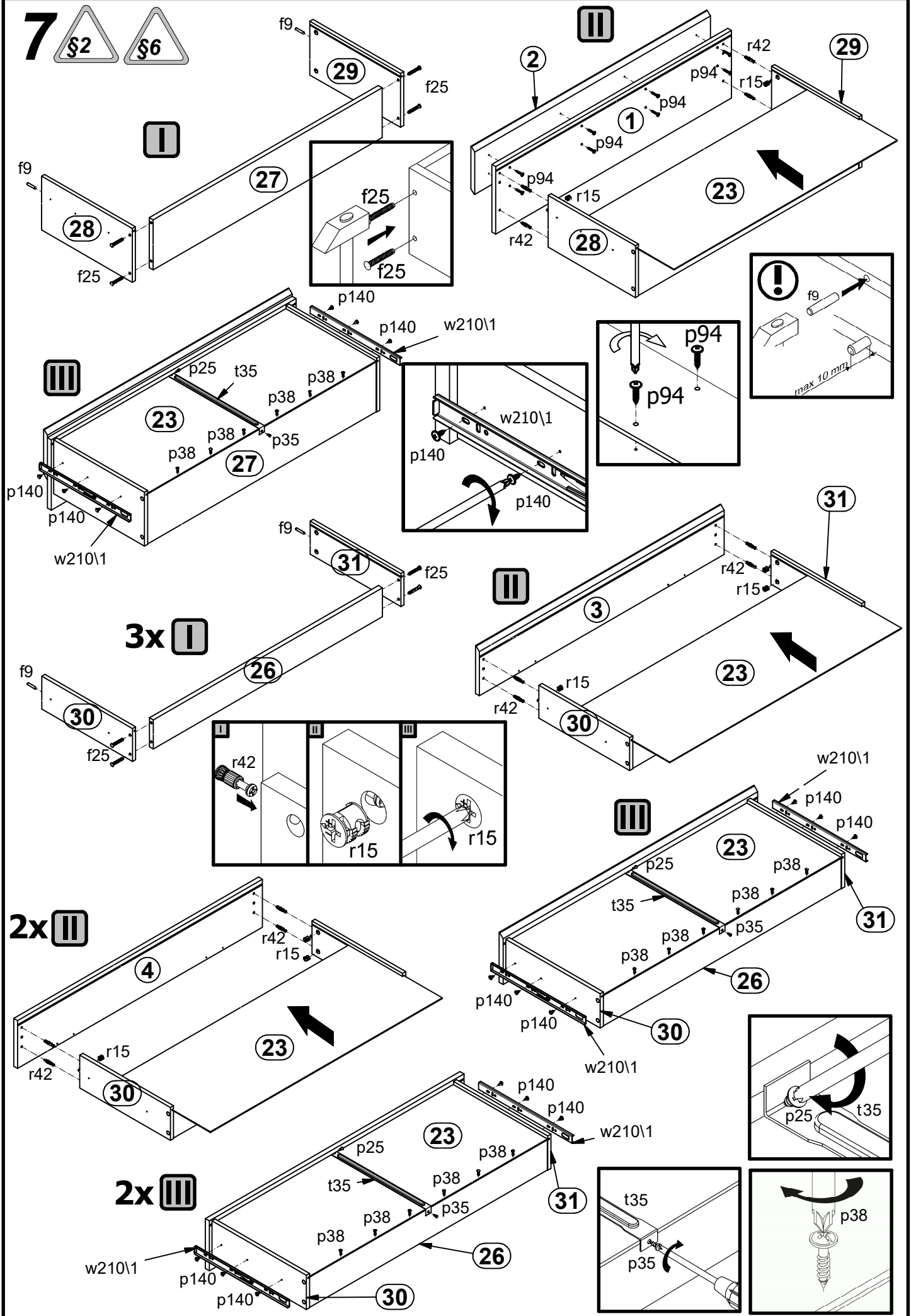
5



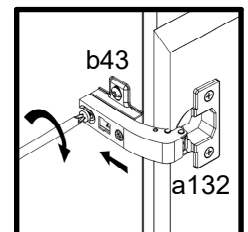
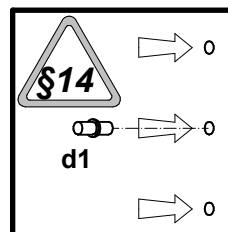
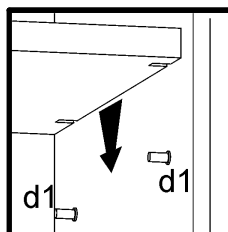
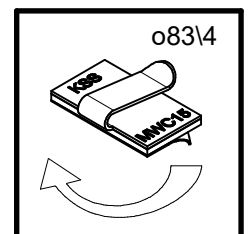
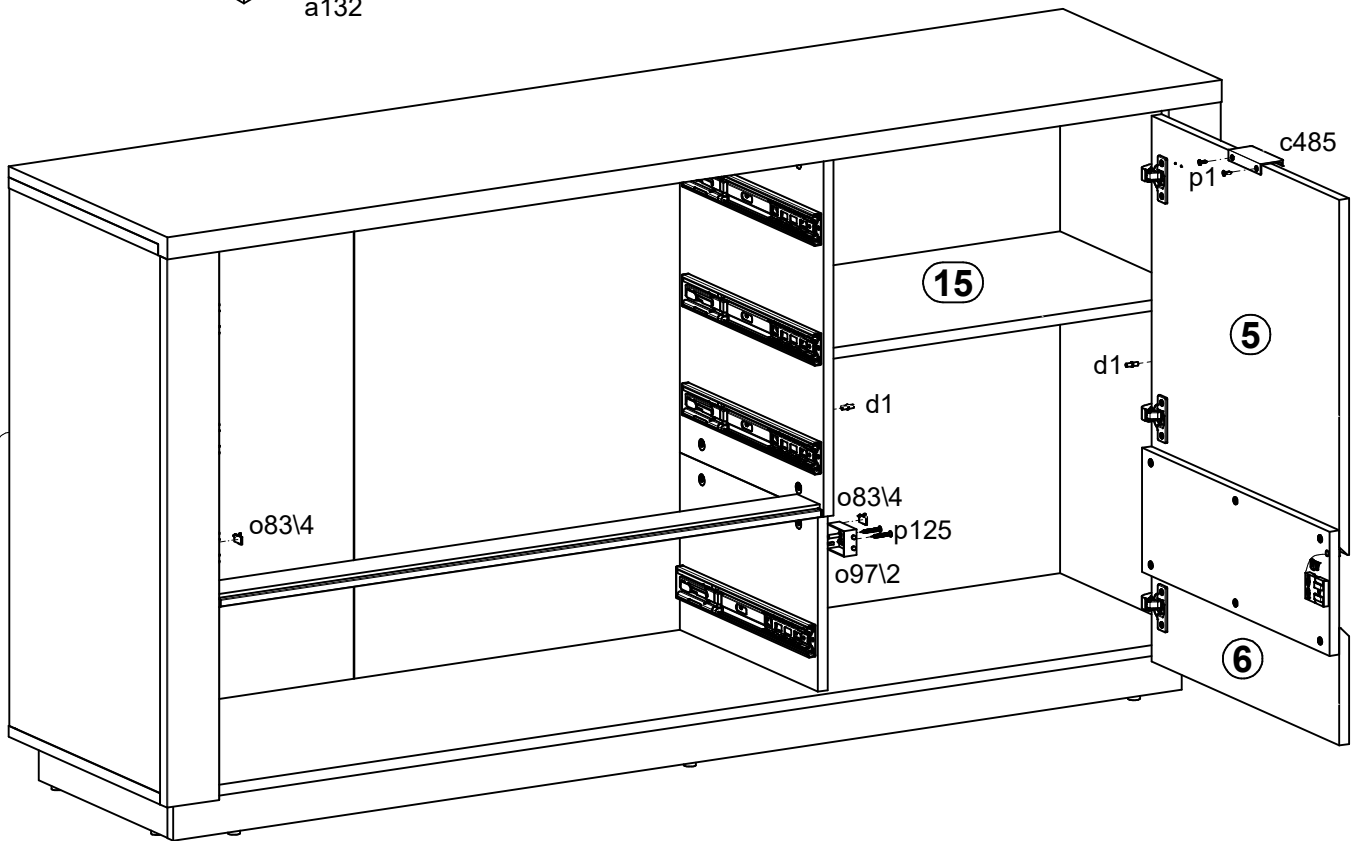
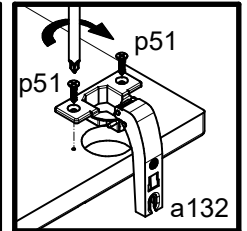
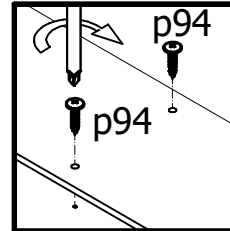
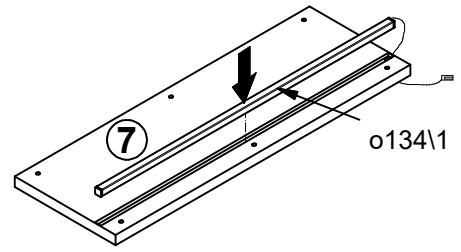
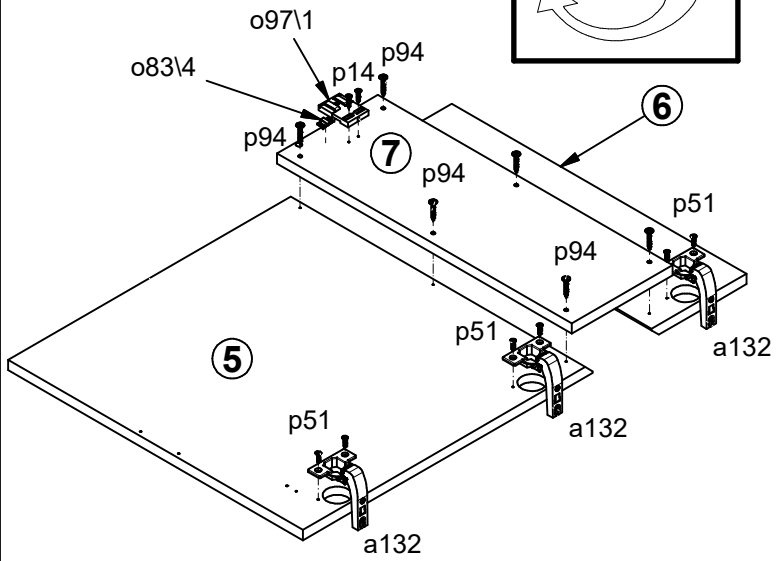
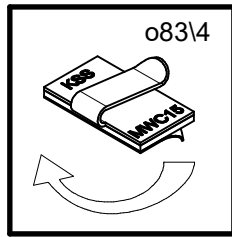
6



7 §2 §6



8 §2 §6



9 §6

