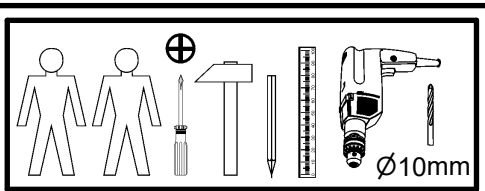
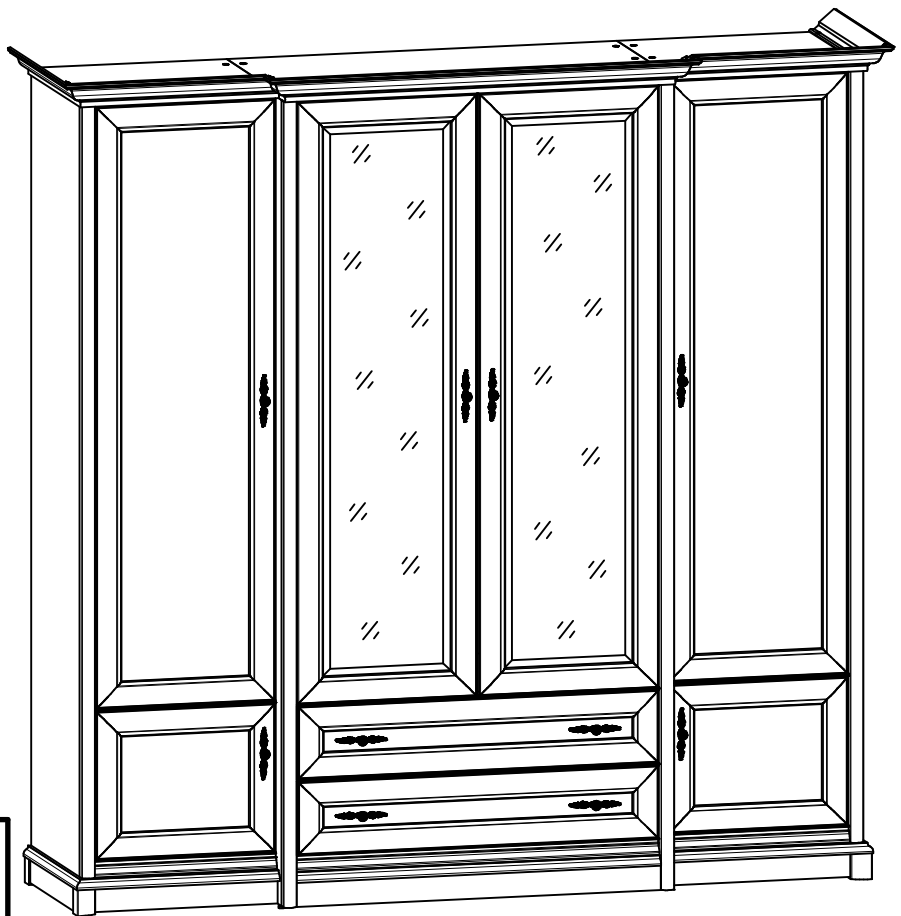
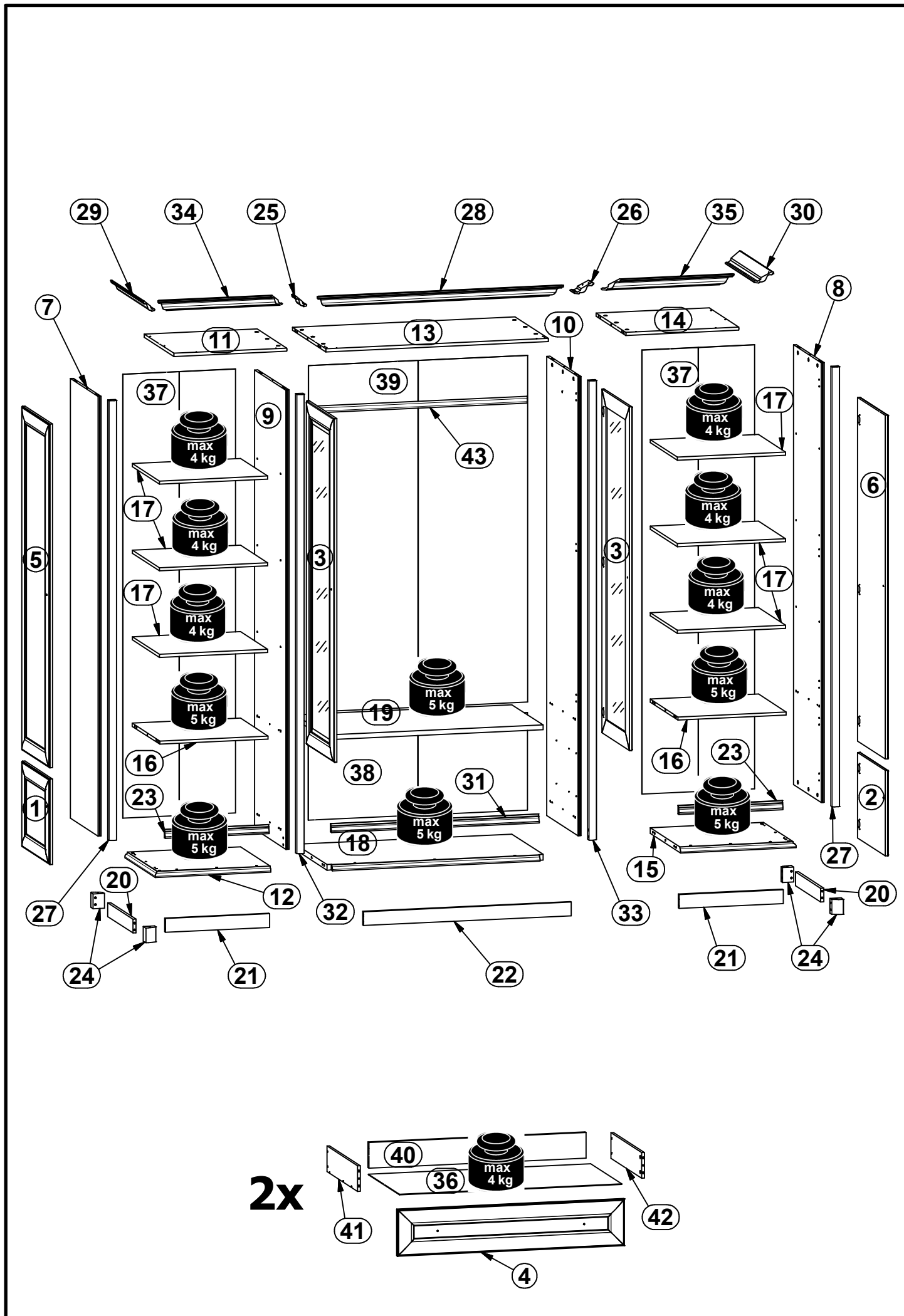


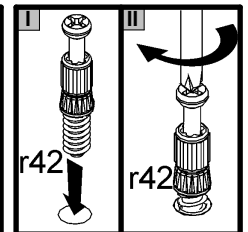
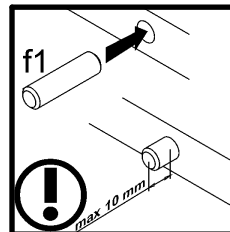
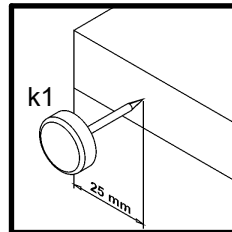
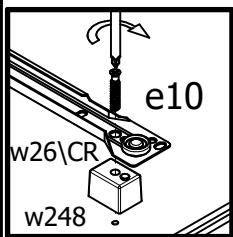
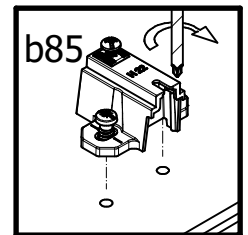
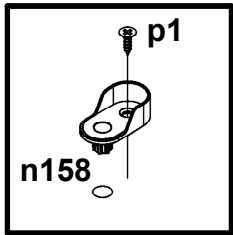
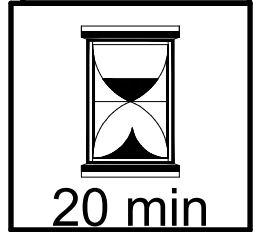
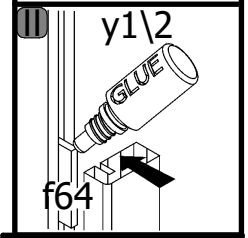
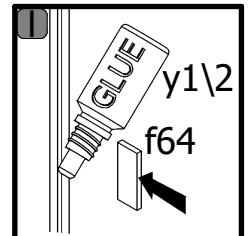
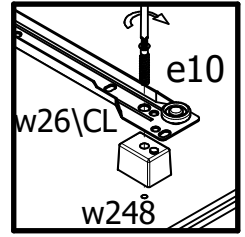
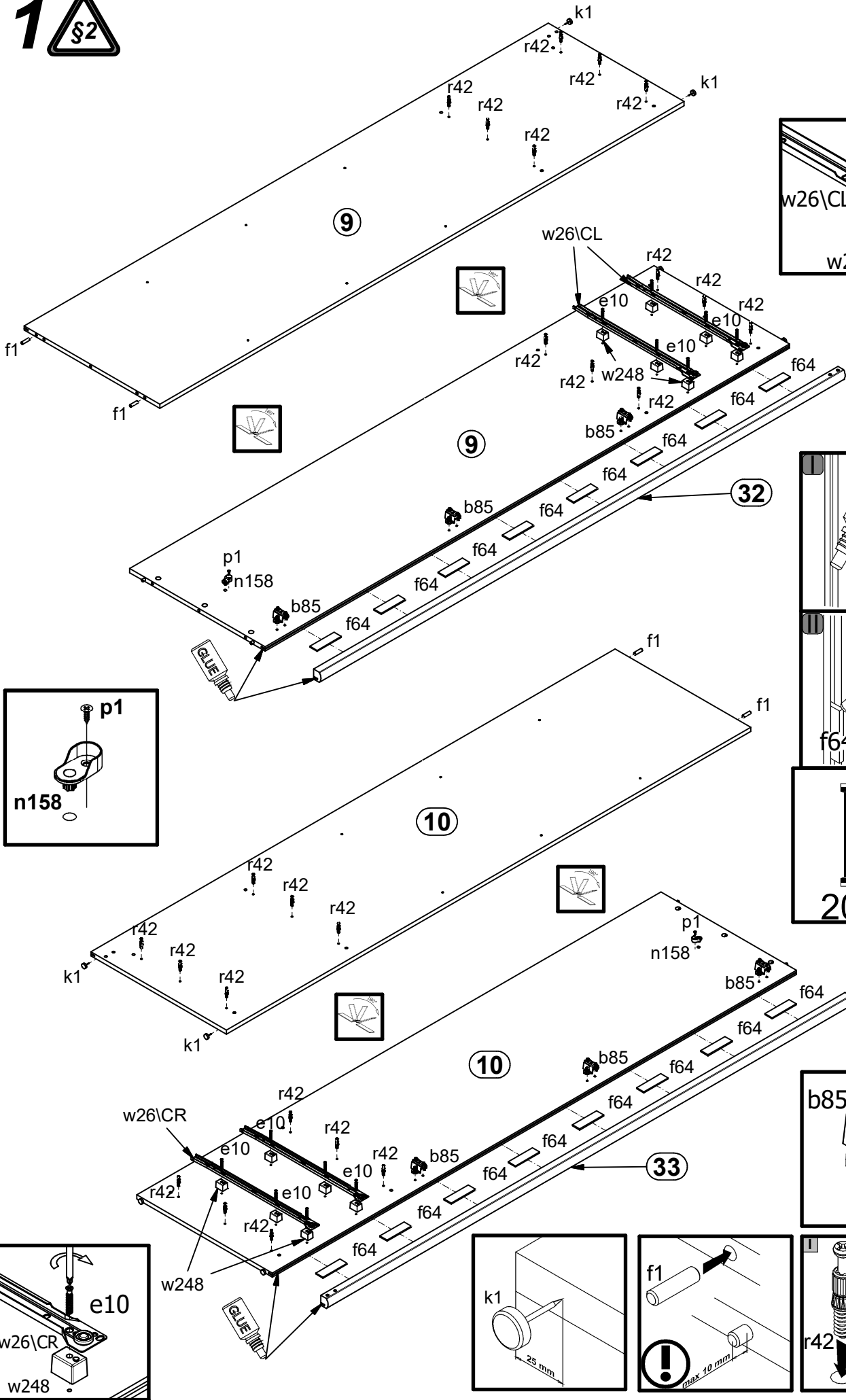
A	B	C	D	A	B	C	D	A	B	C	D			
1	S447-0017	403	495	6/7	16	S447-3020	520,5	495	4/7	31	S447-5077	998	40	4/7
2	S447-0019	403	495	6/7	17	S447-3021	520	485	5/7	32	S447-5078	2165	36	2/7
3	S447-0024	1620	495	7/7	18	S447-3022	1039	582	3/7	33	S447-5079	2165	36	2/7
4	S447-0027	992	200	6/7	19	S447-3024	1039	559	4/7	34	S447-5080	619	92,5	4/7
5	S447-0030	1620	495	7/7	20	S447-4019	451	65	4/7	35	S447-5081	619	92,5	4/7
6	S447-0031	1620	495	7/7	21	S447-4020	500	65	4/7	36	S447-9017	971	507	4/7
7	S447-1034	2073	496	1/7	22	S447-4021	998	65	4/7	37	S447-9315	2093	541	1/7
8	S447-1035	2073	496	1/7	23	S447-5002	500	40	4/7	38	S447-9316	459	1053	2/7
9	S447-1036	2165	560	2/7	24	S447-5003	70	54	4/7	39	S447-9317	1634	1053	2/7
10	S447-1037	2165	560	2/7	25	S447-5055	140	92,5	4/7	40	ZS7-5040	949	110	4/7
11	S447-2029	543	533	3/7	26	S447-5057	140	92,5	4/7	41	ZS7-517	500	110	5/7
12	S447-2030	556	543	3/7	27	S447-5072	2073	36	1/7	42	ZS7-518	500	110	5/7
13	S447-2031	1069	597	4/7	28	S447-5074	1183,5	92,5	4/7	43	dr-1035	1035	30	4/7
14	S447-2032	543	533	3/7	29	S447-5075	587	92,5	4/7					
15	S447-2033	556	543	3/7	30	S447-5076	587	92,5	4/7					



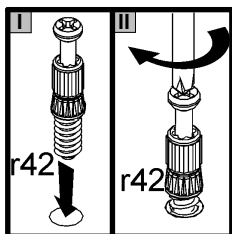
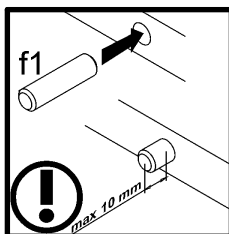
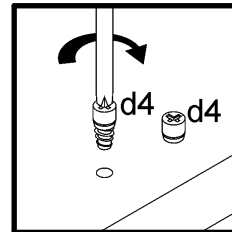
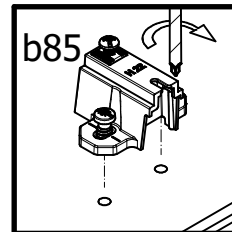
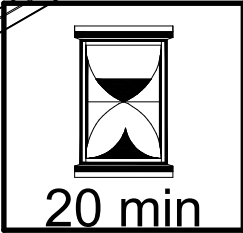
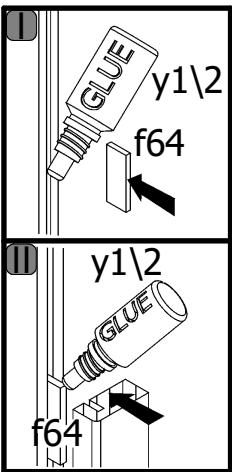
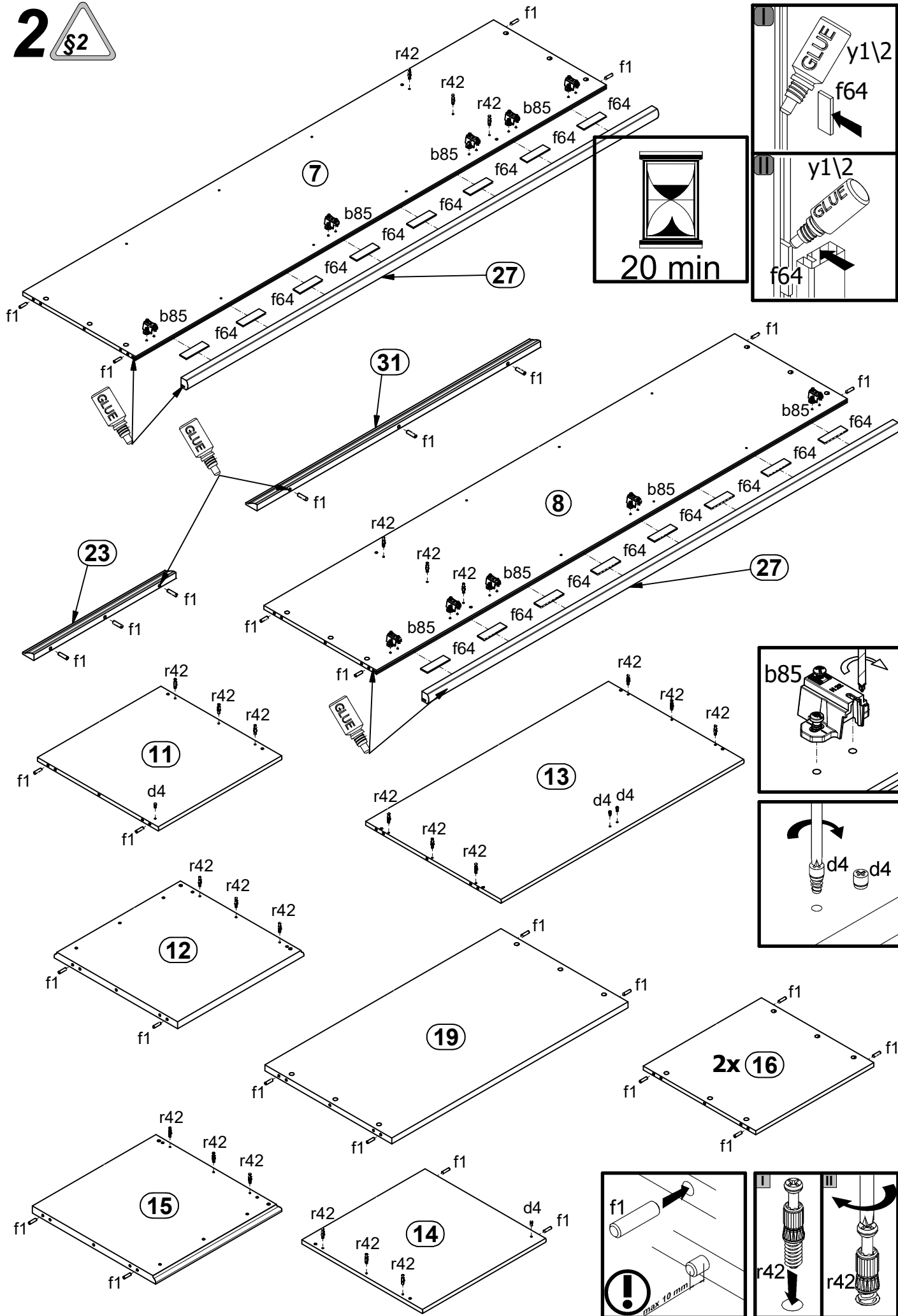
16x K18 Ø35 a172	16x b85	10x c35\1	10x c35\2	24x Ø5x17 mm d1	4x Ø6,3x15 mm d4	4x Ø7x80 mm e8	12x Ø6x33 mm e10	12x Ø5x9 mm e19
65x Ø8x30 mm f1	8x Ø6,5x40 mm f25	4x Ø6x30 mm f9	32x 100x30\3,8 mm f64	4x M4x20 mm j1	6x M4x30 mm j6	4x k1	210x 1,4x20 mm l1	6x 26x26x16\1-125° n40
2x n158	2x Ø3,5x13 mm p1	2x Ø3,5x16 mm p25	2x Ø3,5x10 mm p35	12x Ø3,5x16 mm p38	15x Ø4x20 mm p39	12x Ø3x7 mm p46	32x Ø3,5x15 mm p51	60x Ø15x12 mm #16 r1
8x Ø12x10,5 mm #12 r15	56x 20/11 r42	6x 40 mm r51	2x 500 mm t34	2x 500 mm w26\CL	2x 500 mm w26\CR	2x 500 mm w26\DL	2x 500 mm w26\DR	12x H=21mm w248
2x 30g GLUE y1\2	18x Ø16 s2	1x 4 mm z1				1x n26	1x Ø3,5x16 mm p38	



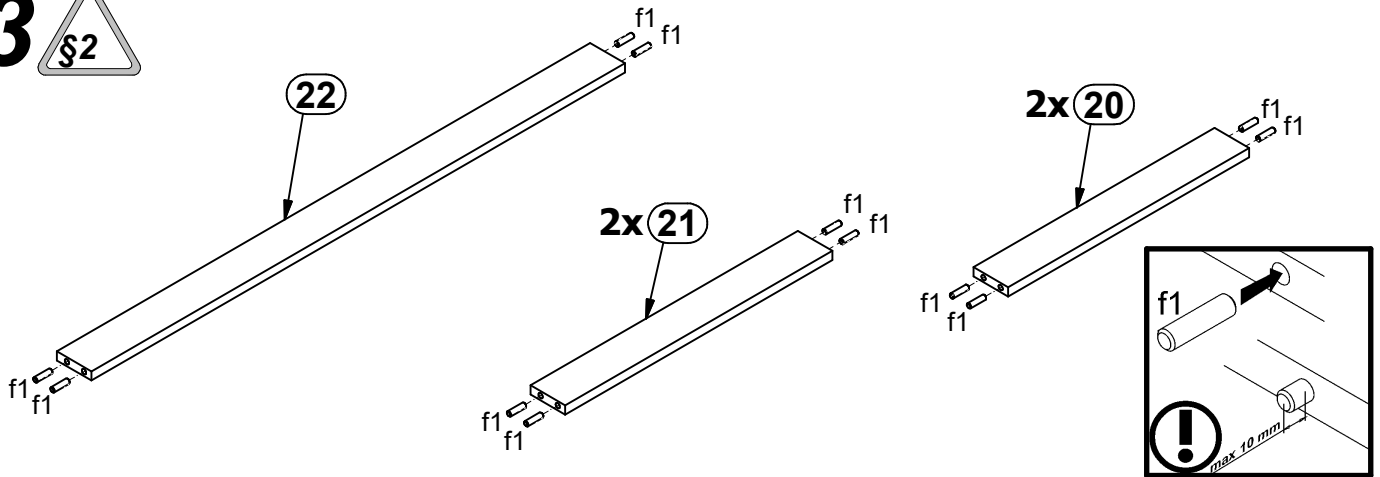
1 



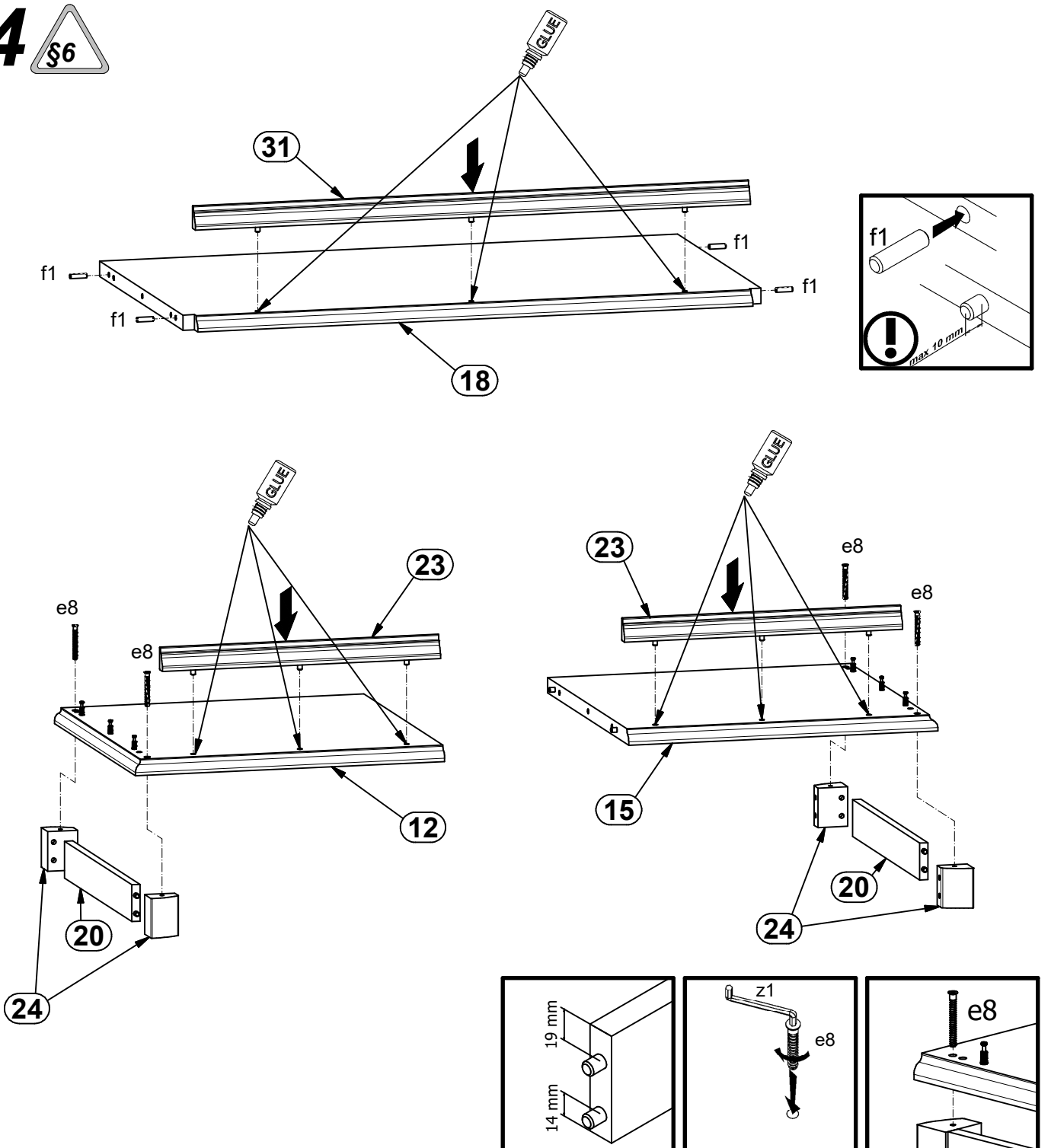
2 



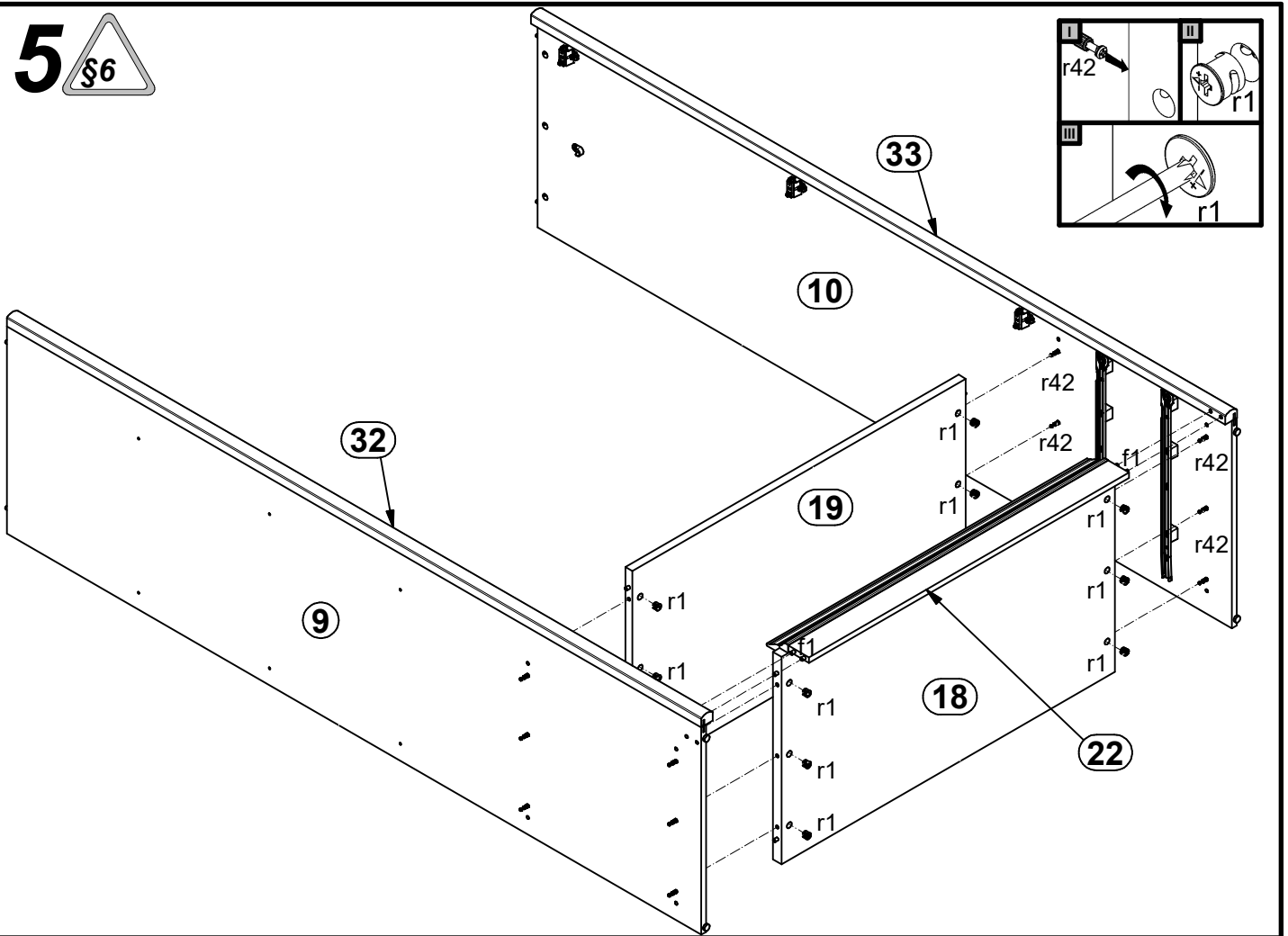
3 §2



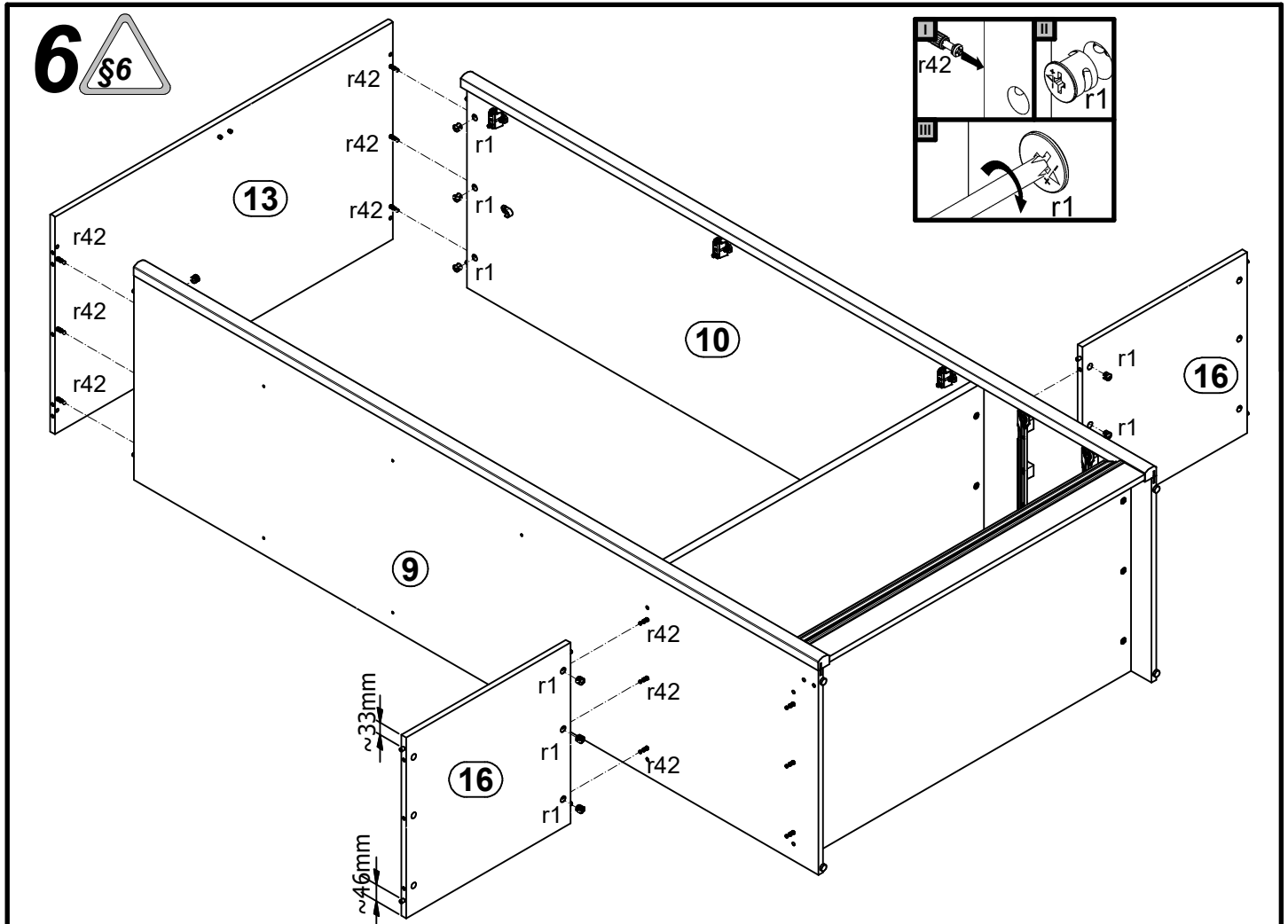
4 §6



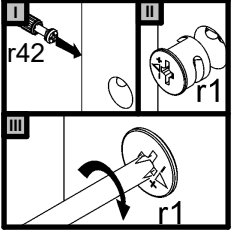
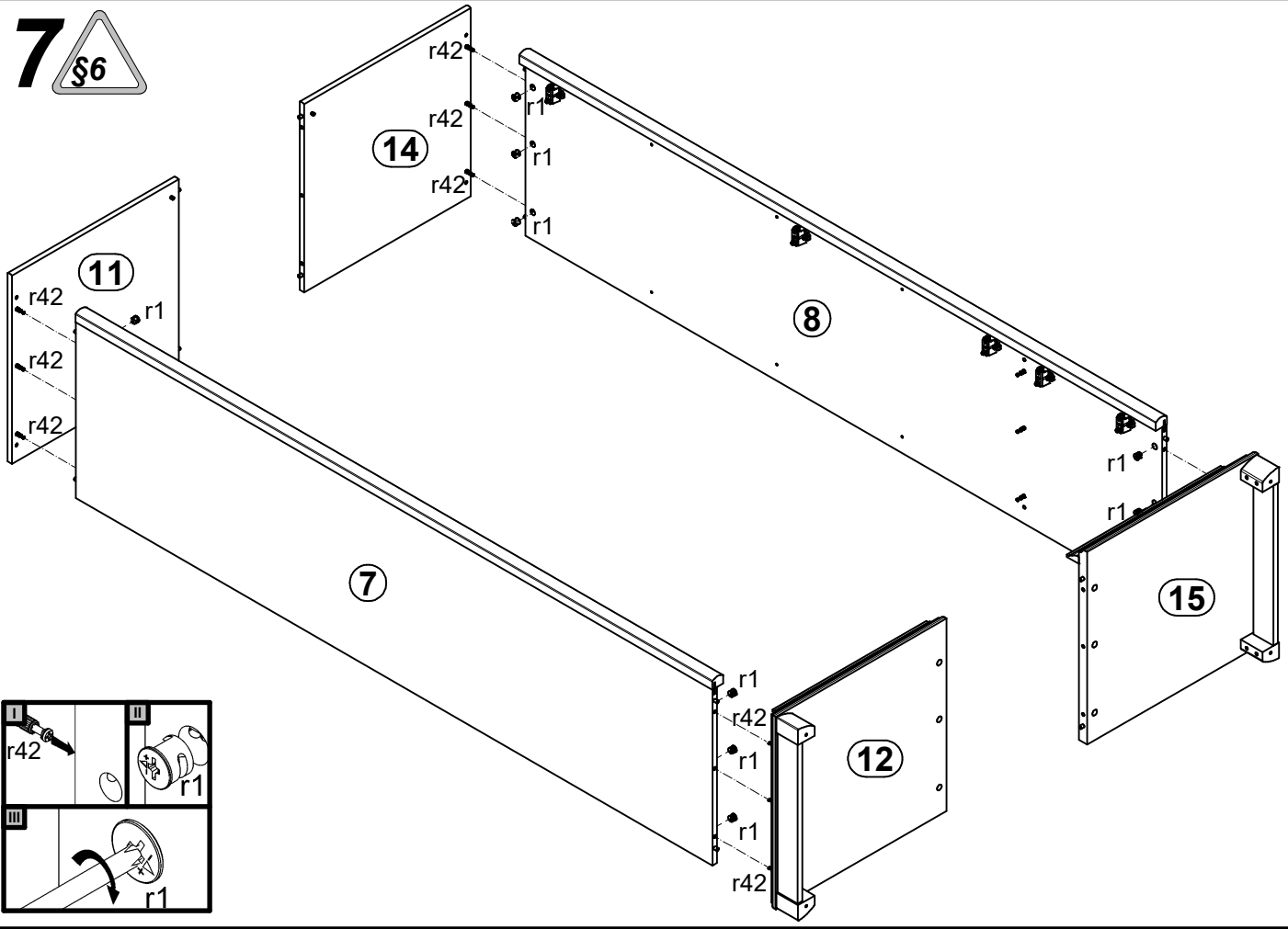
5 



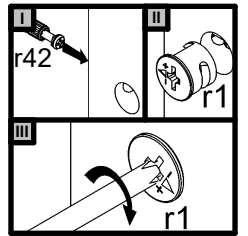
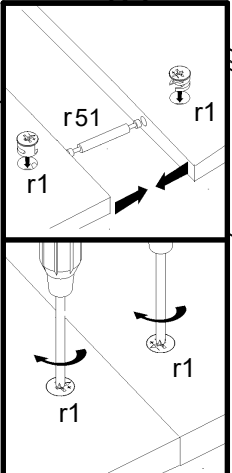
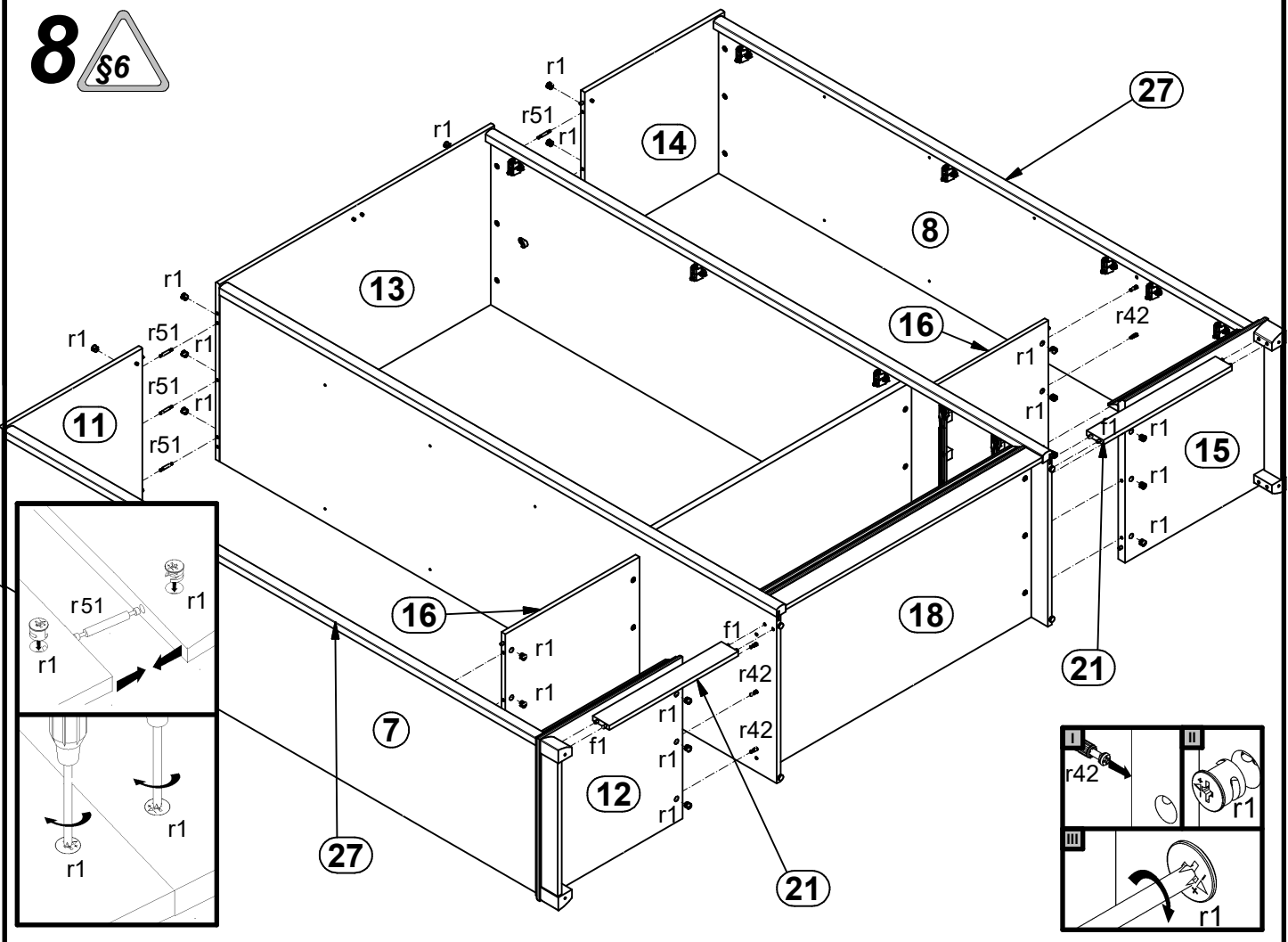
6 



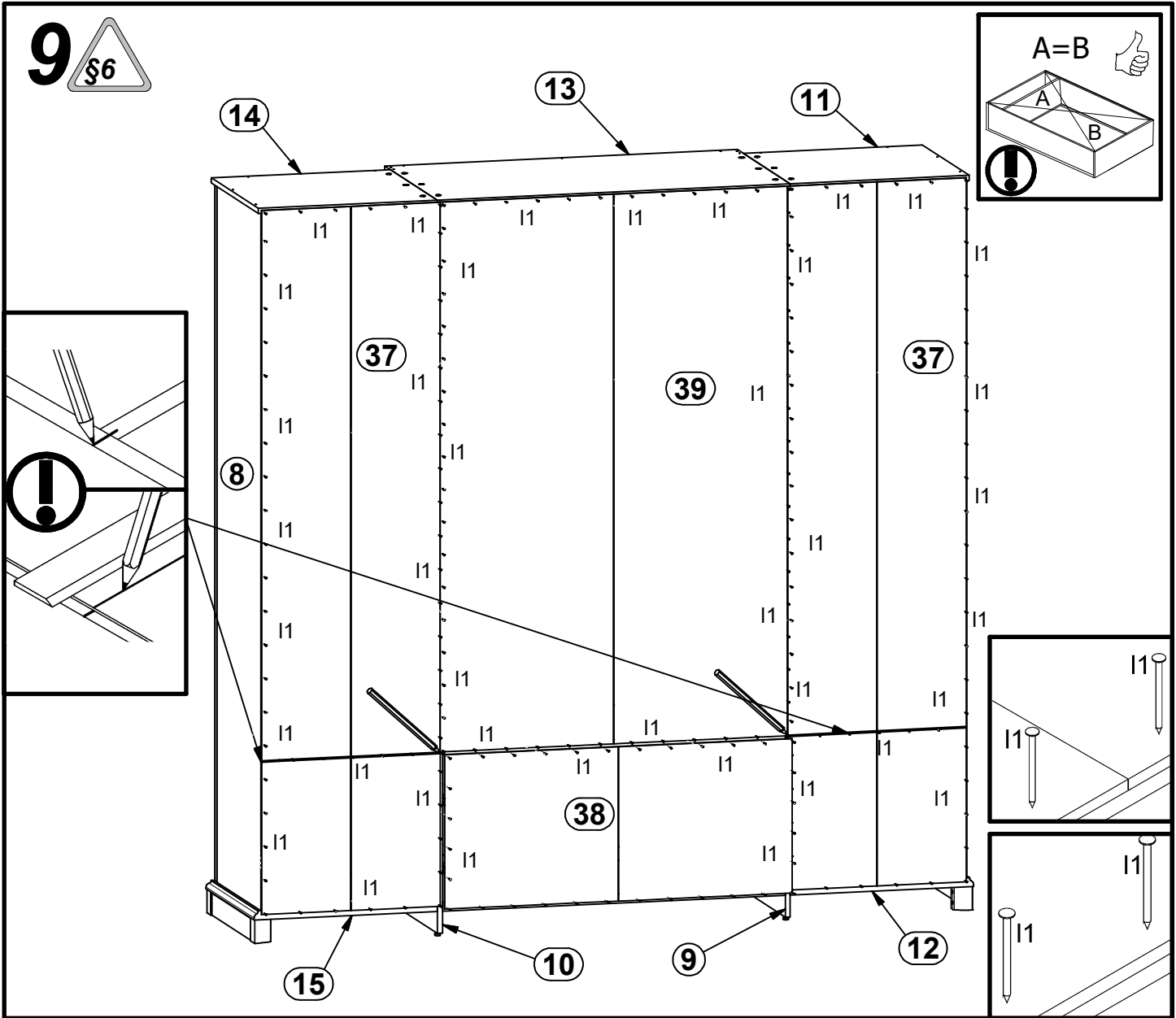
7



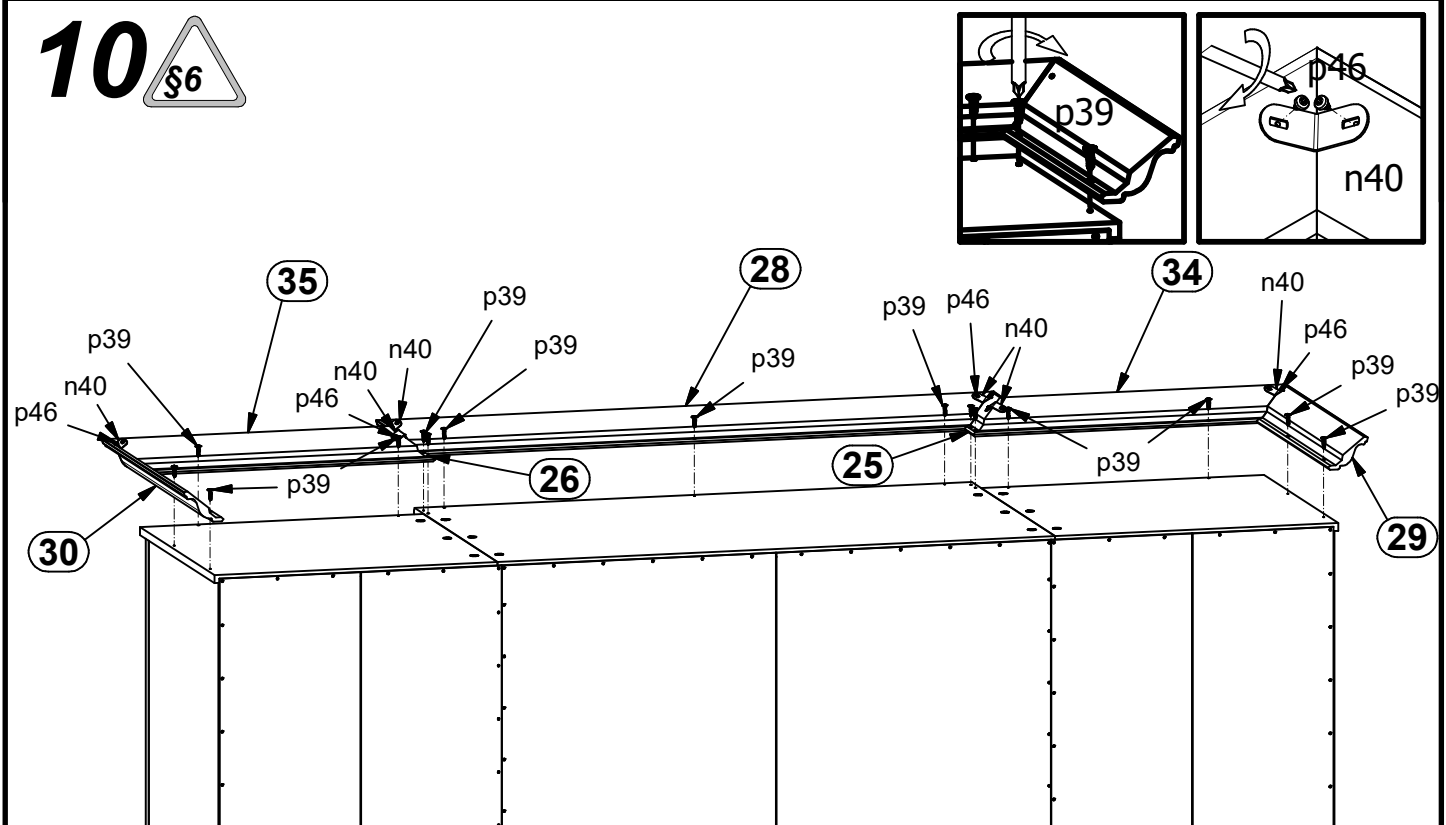
8



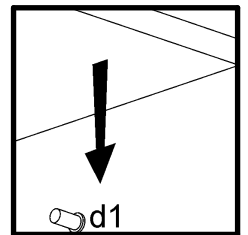
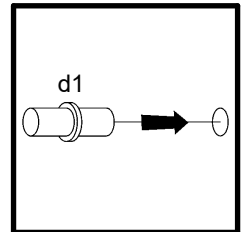
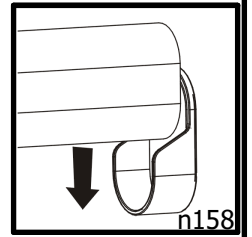
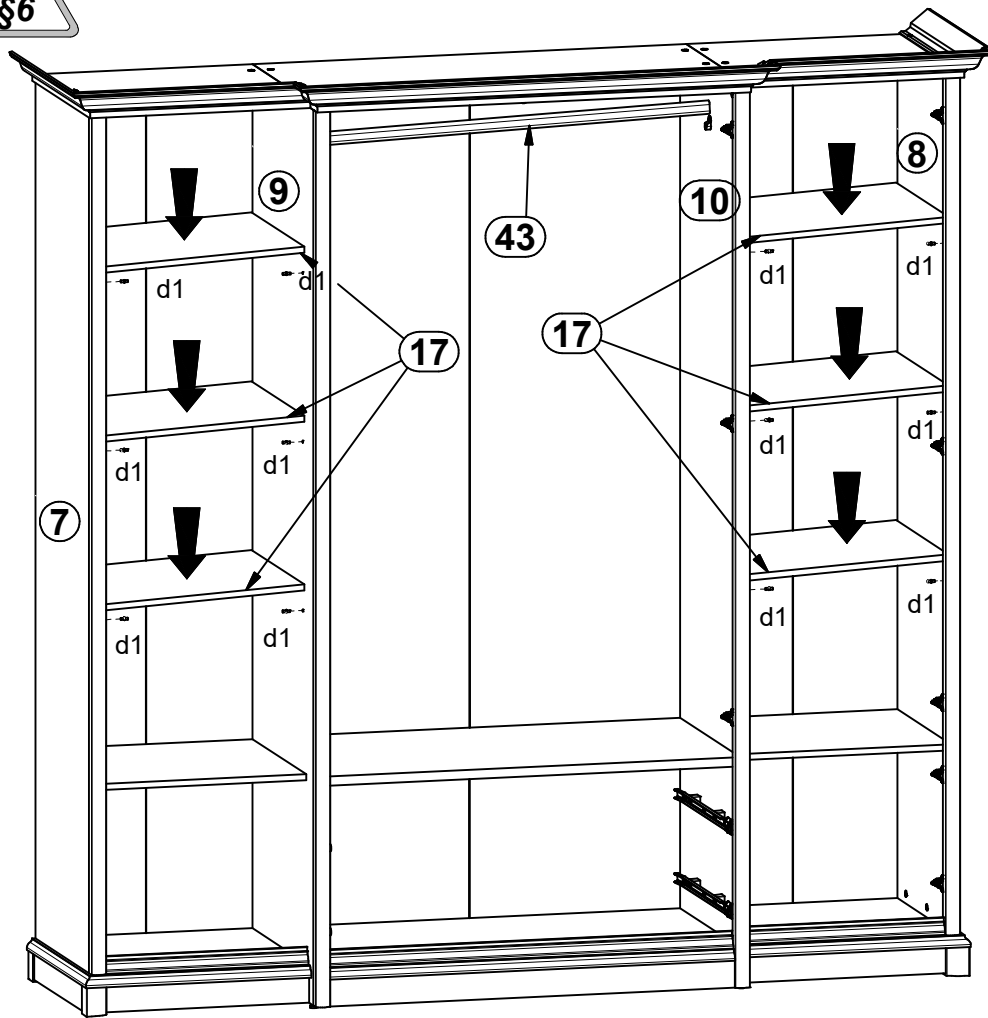
9 §6



10 §6

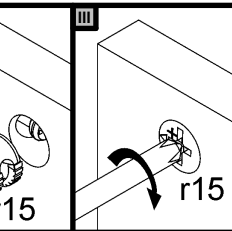
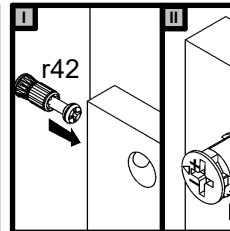
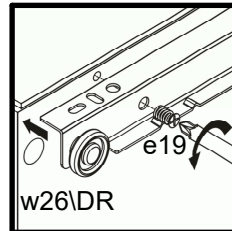
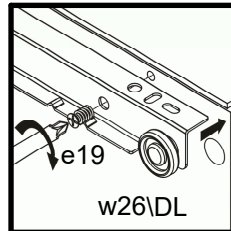
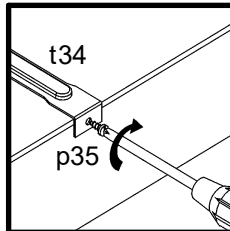
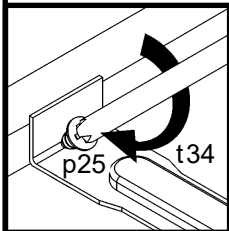
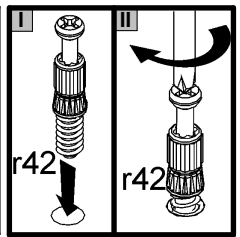
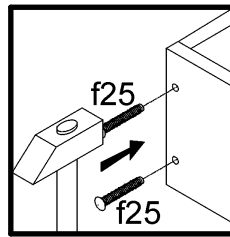
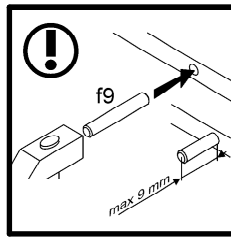
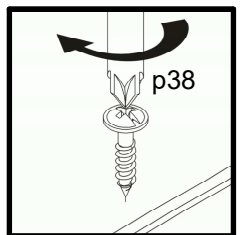
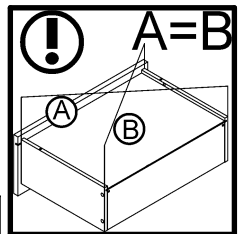
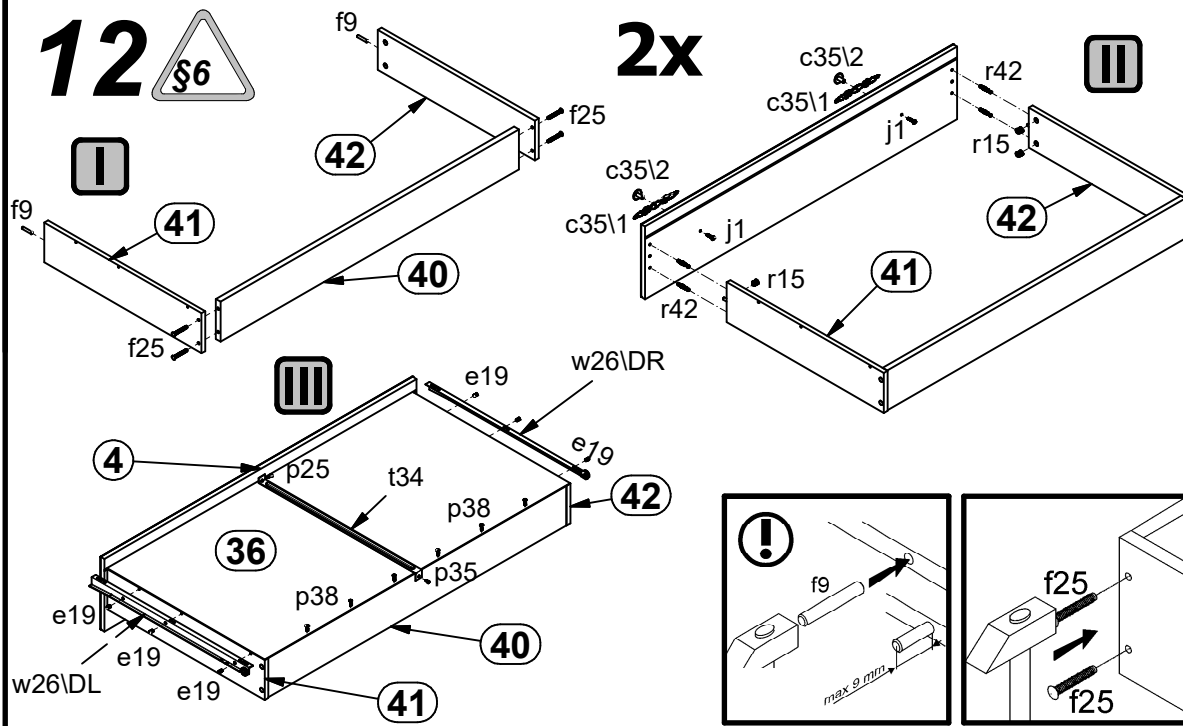


11

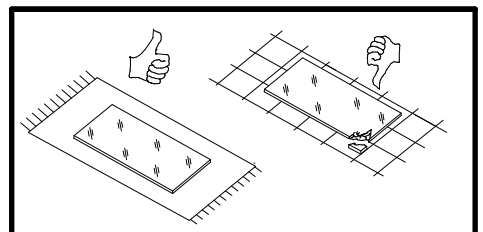
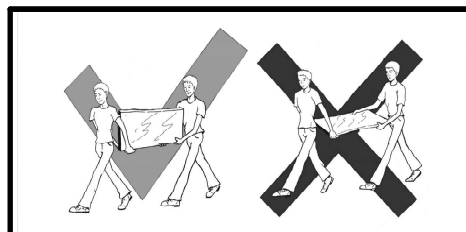
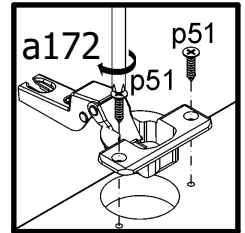
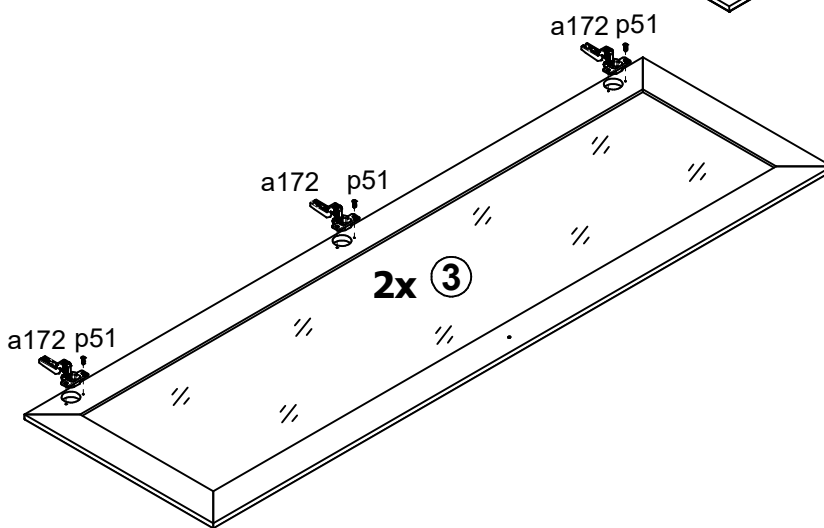
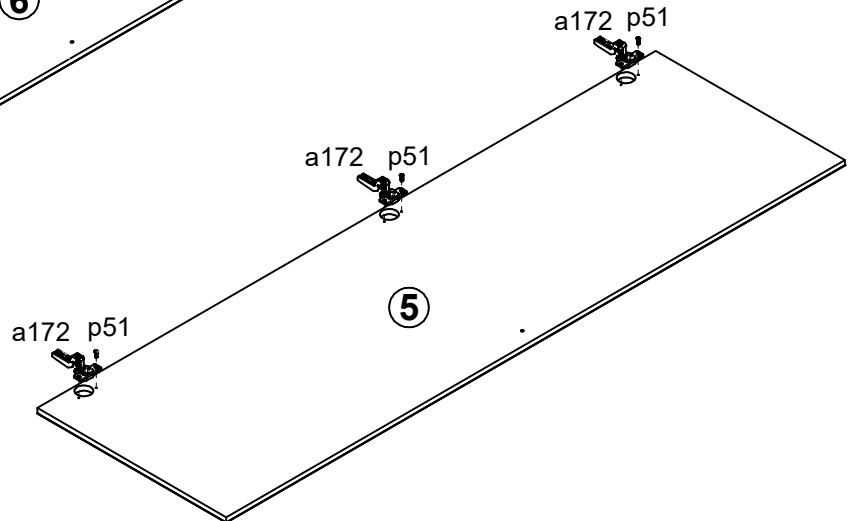
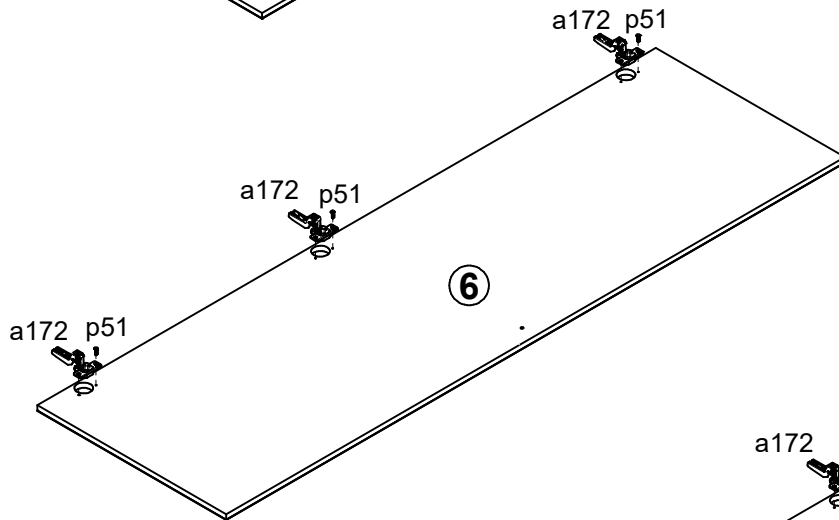
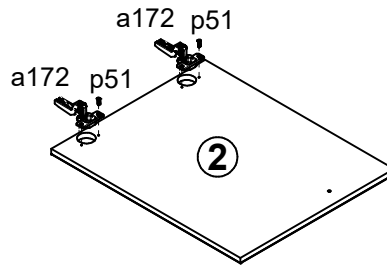
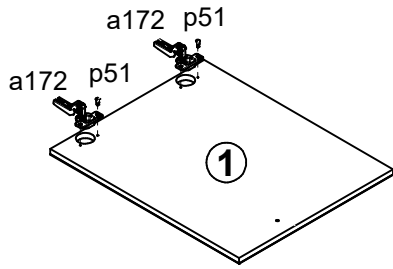


12

2x



13



14

